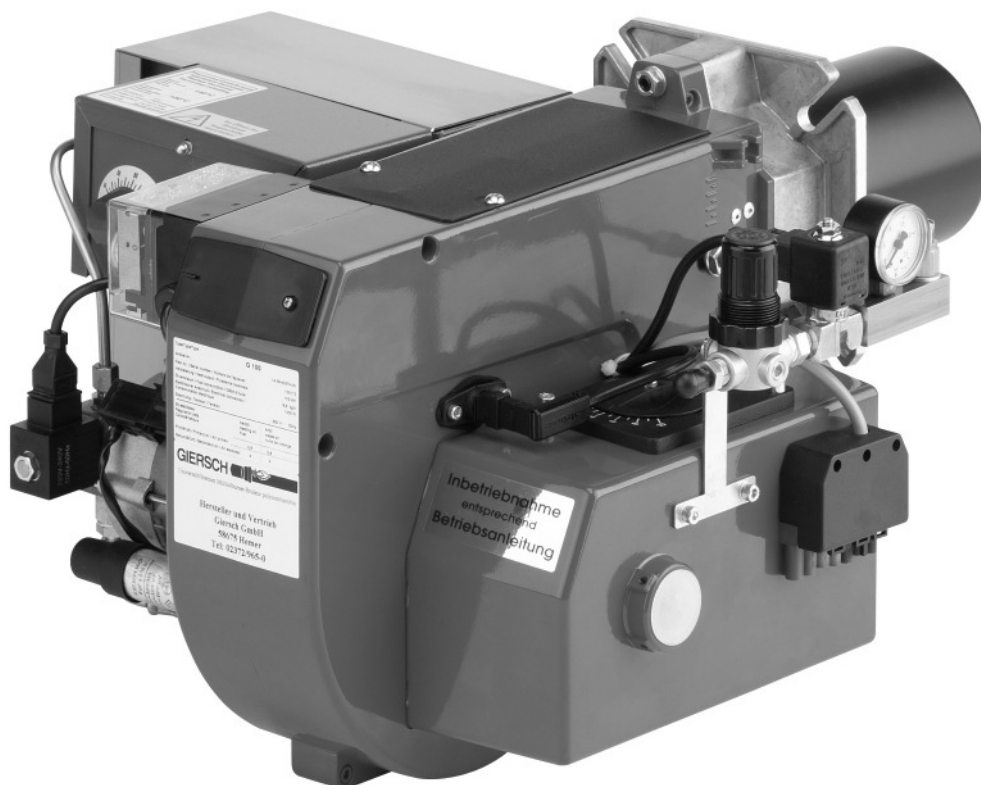


Universal oil burner G

Oil

September 2007 edition

In the interests of continuous product improvement, technical specifications are subject to change without prior notice!



Contents

1.	General information	3
2.	Checking scope of supply and electrical ratings	3
3.	Operating instructions	3
4.	Instruction	3
5.	Maintenance and customer service	3
6.	Technical specifications	4
7.	Functional description	4
8.	Air/oil flow schematic.....	4
9.	Installing flange and burner.....	5
10.	Connecting to power supply.....	5
11.	Compressed air connection	5
12.	Oil pump.....	6
13.	Installing the oil line.....	6
14.	Setting the ignition electrodes.....	7
15.	Control unit	8
16.	Table of settings	9
17.	Settings for primary airflow	10
18.	Combustion air flow rate	10
19.	Flue connection.....	11
20.	Exhaust gas thermometer	11
21.	Maintenance	11
22.	Wiring diagrams	12
23.	Troubleshooting	15
24.	Explosion drawing / parts list.....	16
25.	Burner dimensions / boiler connecting dimensions.....	24

1. General information

An oil-fired system must be installed in compliance with a number of regulations and requirements. It is therefore the duty of the installer to be familiar with all applicable regulations and requirements. Installation, start-up and maintenance must be performed with utmost care.

The burner must not be operated in rooms with high levels of air humidity (laundry rooms), dust or corrosive vapours.



The universal oil burners are suitable for use with a variety of natural oils and mineral-based oils. On account of their viscosity, these oils are not in conformity with EN 267 for oil burners. The burners are, therefore, not licensable. An inspection to determine suitability for the selected fuel type must be performed by the operator prior to acceptance of the installation.

The design and degree of protection of the burner make it suitable for operation in enclosed rooms.

2. Checking scope of supply and electrical ratings

Before installing the GIERSCH universal oil burner please check the items supplied for completeness.

Scope of supply:

burner, mounting unit, separate operating instructions, technical information, flange seal.



Near wear-free compressed air atomising nozzles are pre-fitted at the factory.

3. Operating instructions

This technical information should be displayed in a visible position in the boiler room as operating instructions. It is essential to write the address of the nearest customer service centre in the operating instructions.



Caution !

Improper installation, adjustment, modification, operation or maintenance may result in physical injury or damage to property/equipment. Read the instructions prior to use. This product must be installed in accordance with the applicable regulations (e.g. DIN-VDE).

4. Instruction of operating personnel

Faults are often caused by operator error. The operating personnel must be properly instructed in how the burner works. In the event of recurring faults, Customer Service should be notified.

5. Maintenance and customer service

The complete system should be checked once a year for correct functioning and leaks by a representative of the manufacturer or other suitably qualified person. We accept no liability for consequential damage in cases of incorrect installation or repair, the fitting of non-genuine parts or where the equipment has been used for purposes for which it was not intended. Also refer to 21. Maintenance on page 11.

6. Technical specifications

Technical specifications		Burner type					
		G20	G55	G70	G100	G150	G200
Output	KW	32.0	51	69	102	154	200
Oil throughput	kg/h	2.7	4.3	5.8	8.6	13.0	16.5
Compressor output	m ³ /h	4	6	8.5	11.5	23	25
Primary air connection	bar	0.4-0.8	0.4-0.8	0.45-0.65	0.5-0.8	0.4-0.8	0.4-0.8
Motor output	W	90	180	180	180	250	250
Heating element	W	1100					
Voltage		1/N/PE ~50 Hz 220 - 240 V					
Weight	kg	12.5	21	21	21	22	22

7. Functional description

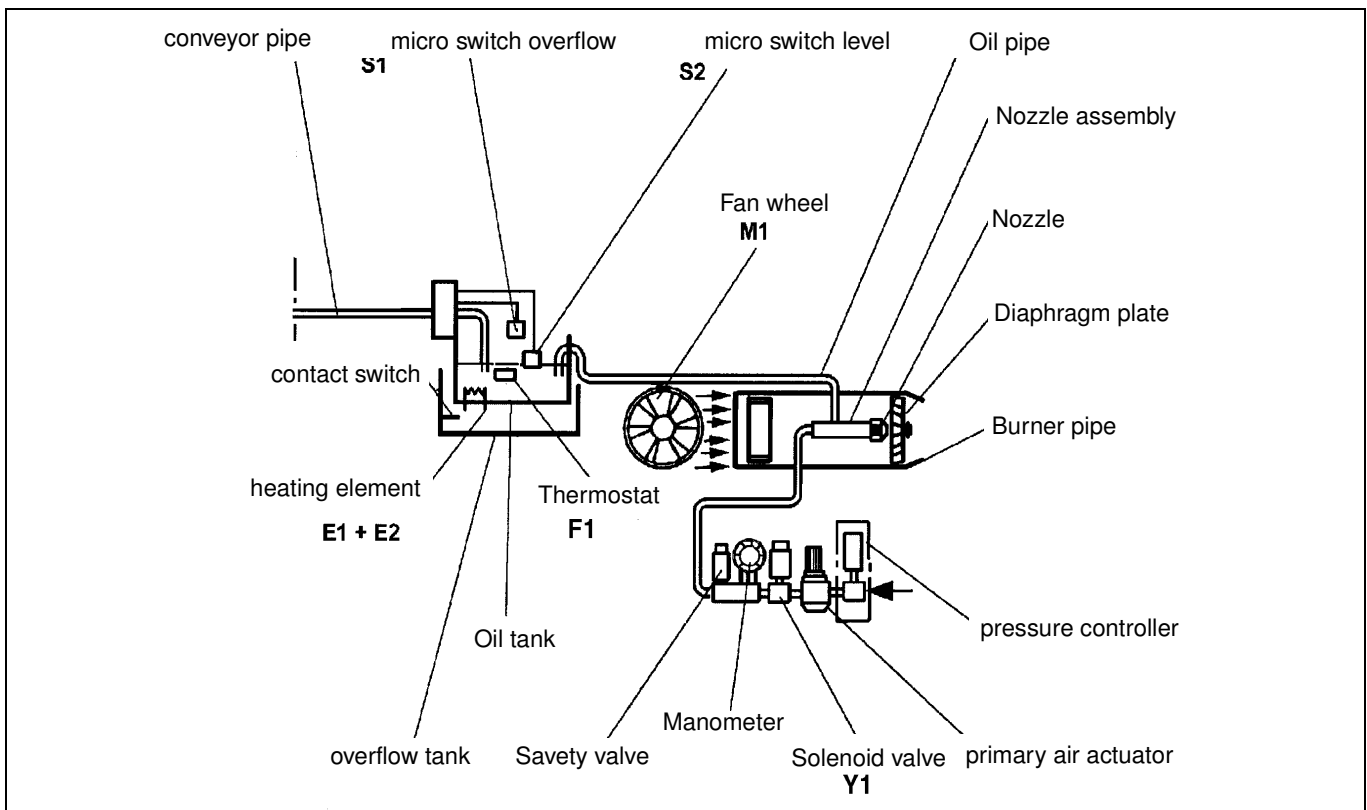
The fuel is pumped out of the supply tank and into the burner tank. A float switch controls the level inside the burner tank. An additional microswitch serves as a limiter, switching over to fault mode when the tank is overfilled.

A thermostat regulates the oil temperature in the burner tank and starts the burner when the set temperature is reached. Thereafter, the automatic oil burner control system controls and monitors the operation of the burner.

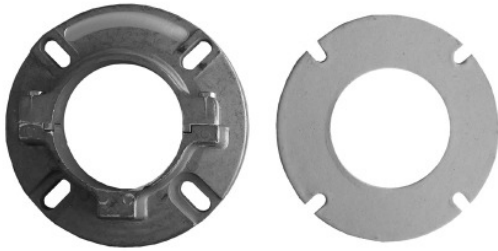
Fuel is aspirated and finely atomised by a special nozzle using the compressed air flowing through the burner, which is used as primary air for the combustion process.

The burner blower supplies the secondary air which is added to the atomised spray at the baffle plate. This ensures full combustion and operational reliability.

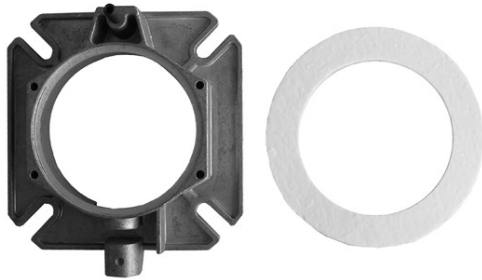
8. Air/oil flow schematic



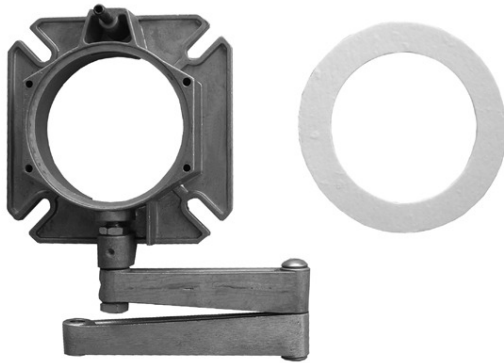
G20



G55-100

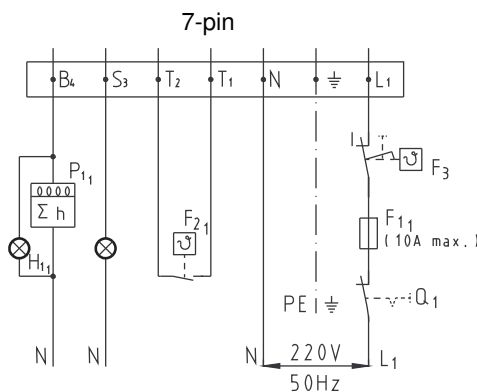


G150-200



9. Installing flange and burner

Attach the burner flange and the seal to the heat generator.



10. Connecting to power supply

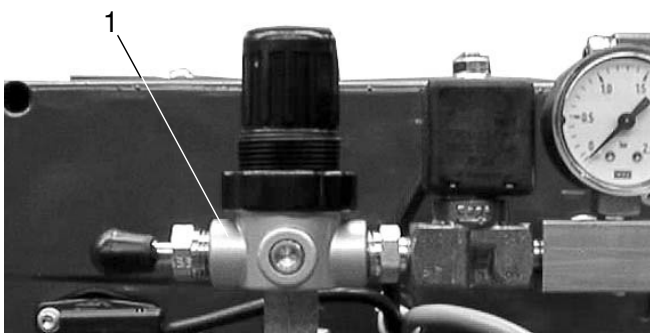
- Connect the burner to the power supply using the supplied connector unit as indicated in the wiring diagram.
- HEED LOCAL REGULATIONS !
- Use flexible wiring.

Overcurrent protection configuration

The overcurrent protection devices must be rated for the electrical current range indicated in the technical specifications and to provide protection against electrical shock according to DIN IEC 60364-4-41 (VDE 0100-410).

11. Compressed air connection

Connect a compressed air line to the pressure regulator (1).



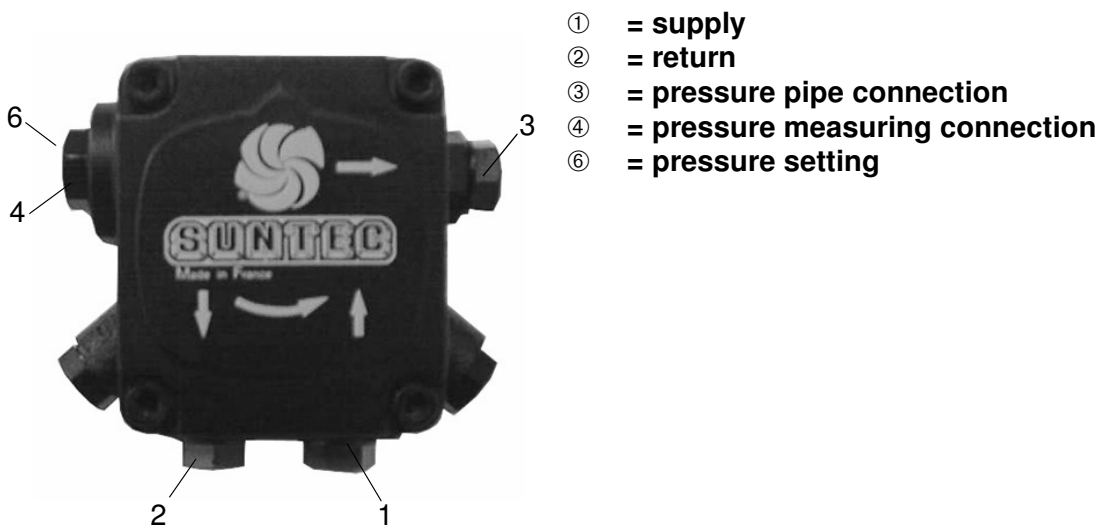
12. Oil pump

The oil pumps serve as delivery units, pumping oil into the burner tank. The atomisation of the oil is not dependent on the oil pressure.

Oil pump SP25 for G20:



Suntec oil pump for G55 - G200:



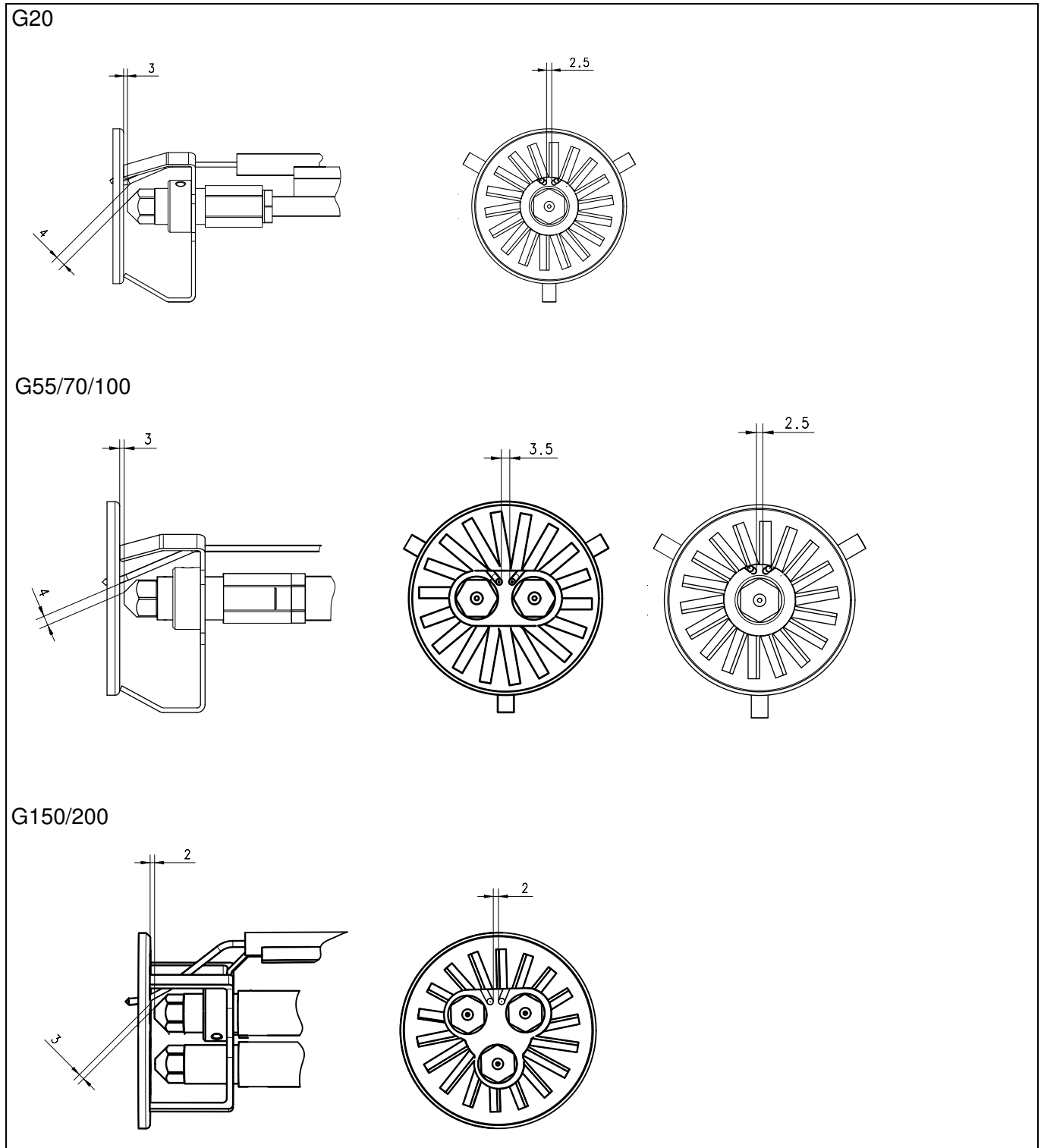
13. Installing the oil line

Install oil lines, filters and floating suction unit from the supply pump to the supply tank.

For installation in the open air or on outside walls, the lines must be specially insulated or fitted with additional pipe heaters, as otherwise the water contained in the oil will freeze causing the oil to become highly viscous.

14. Setting the ignition electrodes

The ignition electrodes are preset. The specified dimensions (Fig.) are for checking purposes.



15. Function test of control box

Carry out the following checks after commissioning and each time after the burner has been serviced:

- Restarting with a covered flame detector:
the control unit must go into fault mode on expiration of the safety period.
- Burner start-up with flame detector exposed to external light, e.g. fluorescent lamp, lighter, light bulb (daylight is not enough!):
The control device must switch over to fault mode during the pre-ventilation period as a consequence of the external light.
- Normal start-up - if the burner is in operation, darken the flame detector during the post-ignition period:
(e.g. unplug and cover flame detector!)
TF 834: the ignition must switch on and upon expiration of the safety period the device must switch over to fault mode.
- Post-ventilation after flame cut-off.

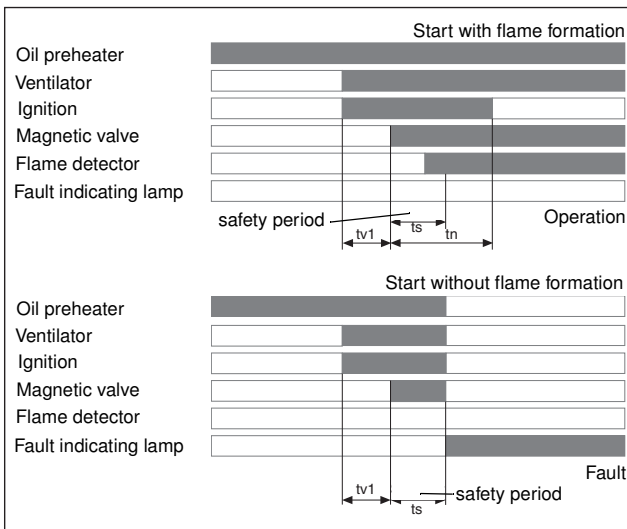
Safety and switching functions

If a flame failure occurs during operation, the fuel feed shuts off immediately and the system tries a restart, with pre-aeration and retarded ignition. If no flame results, the control box indicates a fault after the safety period expires. A restart takes place in all cases following a mains power failure. The control box shows a fault if the photoelectric cell detects a light source during the pre-aeration time, after the safety time.

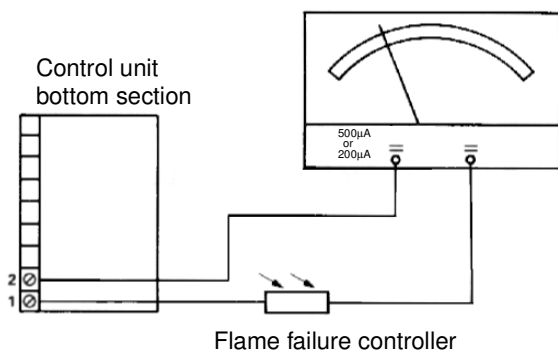


The control device may only be plugged in or unplugged, if the main switch is in the "OFF" position or if the 7-pin plug connector is disconnected, because the bottom part of the control device carries 230 V.

Incidence of external light on the photoresistor or flame detector must be prevented (e.g. through a sight glass or red-hot fireclay lining). Only then is fault-free operation of the installation ensured.



Satronic:	TF 834
t_{v1} = pre-ignition time + pre-ventilation	12 secs.
t_s = safety period	10 secs.
t_n = post-ignition time	20 sec.
Post-ventilation after flame cut-off	-
Delay after switching-off fault	approx. 60
Photoresistor (photoelectric cell)	MZ770



Measuring the photocurrent (MZ 770S only)

To measure the photocurrent, disconnect the plug unit from the flame failure controller and install the pair of measuring cables* between the plug and socket unit. Both measuring connections should be connected to the measuring instrument. If there is a negative deflection of the measuring instrument, reverse the plug on the measuring instrument lead ! Set the measuring instrument to ampere metering for DC, measuring range up to approx. 200 µmA !

Recommended measuring accessories

Digital measuring instrument:

Art. No. 59-20-50263

* Pair of measuring cables for photocurrent:

Art. No. 59-20-50408

16. Adjustment tables



The values given in the tables are only setting values for start-up. The system settings required in each case must be redefined if values such as boiler output, calorific value and altitude deviate. **A correction is required in any case (due to the system design).**

- For initial start-up, fill the burner tank up to the oil mark by hand.



Caution !

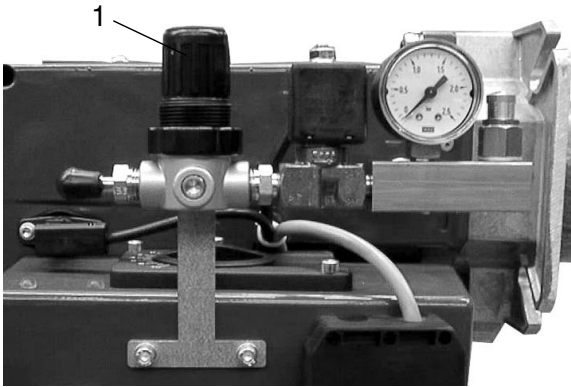
If the oil level is too high, the float switch will switch off the burner.

If the oil level is too low, the heating cartridge will become encrusted or damaged.

Burner type	G20	G55	G70	G100	G150	G200
Oil throughput in kg/h	2.7	4.3	5.8	8.6	12.6	16.5
Primary air in bar						
Fuel oil	0.2	0.4	0.45	0.5	0.6	0.7
Universal oil	0.4	0.8	0.65	0.8	1.0	1.1
Vegetable oil	0.4	0.8	0.65	0.8	1.0	1.1
Secondary air (scale on air damper)	6	2	3	4	5	6

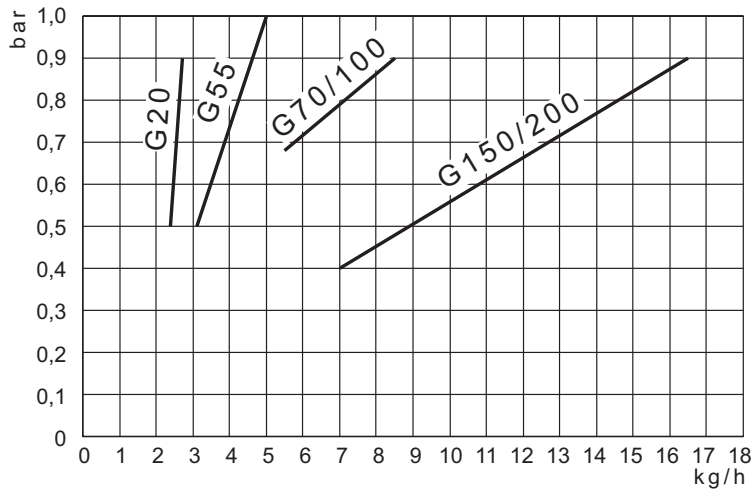
The thermostat on the burner tank must be set to between "min." for heating oil EL and 140°C for rapeseed oil, depending on the viscosity of the oil.

17. Settings for primary airflow

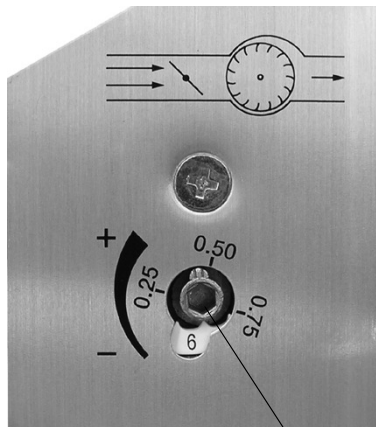


The primary airflow should be set using the pressure regulator (1) according to the required burner output. The information given in the diagram can be used as guide values. Higher-viscosity fuels require higher air pressures.

18. Combustion air flow rate



G20



Setting the combustion air flow rate (2).

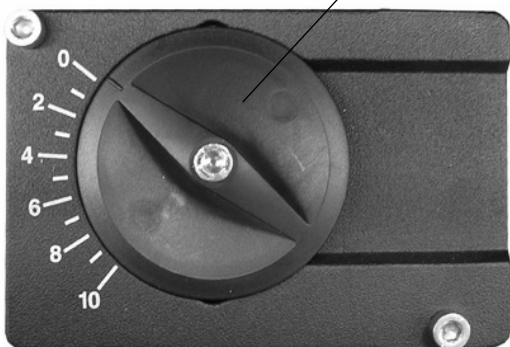
Ideal values:

- Soot index according to Bacharach <1
- O₂ = 4 - 5%

The CO₂ values of a commercially available measuring instrument can only be used for processing the combustion process for heating oil EL.

Exhaust gas temperature according to the operating instructions of the heat generator.

G55 - G200



19. Flue connection

The prerequisite for perfect operation of the furnace is a correctly dimensioned flue.

Dimensioning is effected in accordance with DIN 4705 in consideration of DIN 18160 and based on the boiler and burner outputs.

For operation on a sliding basis, provide flues as per DIN 18160 part, group 1. The exhaust gas mass flow of the total rated heat output must be factored into the calculation. The effective flue height is counted from burner level. Furthermore, we refer you to the statutory building regulations of the individual German federal states.

Select a flue design which minimises the danger of condensation or of a cold flue inner wall.



For exact adjustment and stabilisation of the flue draught we recommend the installation of a draught limiter.

By this means:

- any draught fluctuations are equalised
- moisture in the flue is largely excluded
- stoppage losses are reduced.

Connection pieces should be introduced into the flue with a gradient of 30° or 45° viewed in flow direction. It is best to provide exhaust gas pipes with thermal insulation.

20. Exhaust gas thermometer

For exhaust gas temperature monitoring the heating system should be equipped with an exhaust gas thermometer. The higher the exhaust gas temperature, the greater the exhaust gas loss.

Rising exhaust gas temperatures indicate increasing deposits that will reduce the degree of combustion efficiency. In the event of an increasing exhaust gas temperature have the heating installation cleaned and readjusted by a skilled person.

21. Maintenance

Depending on the quality of the oil used, we recommend the following maintenance intervals:

After more than 3 days downtime:

- drain off residual water and sludge through the water drain cock in the burner tank,

Monthly:

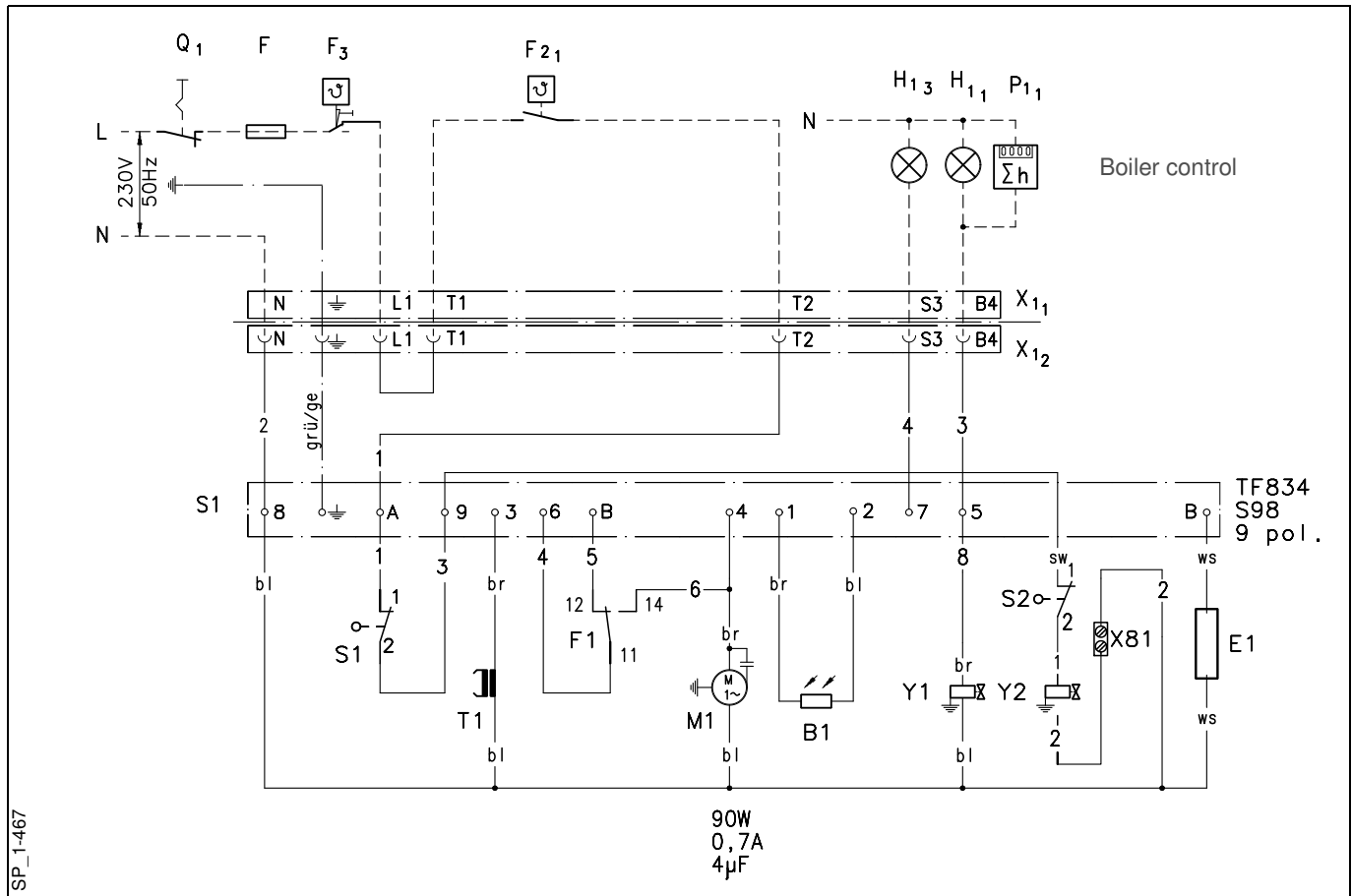
- Clean the filter in the supply tank or the unit tank and strainer on the floating suction unit
- Remove and clean the feed pump filter
- Remove sludge and residual water from the supply tank or unit tank
- The quantity can be determined by using water indication paste and a gauging rod
- Clean the photocell
- Clean the ignition electrode and baffle plate and blow out the nozzle with compressed air, check the spacing between the ignition electrodes (refer to checking dimensions for ignition electrodes)

Annually (before or after the heating period):

- Carry out monthly maintenance as described
- Clean the heating cartridges in the burner tank
- Clean the ignition electrodes and baffle plate, blow out the nozzle with compressed air and check the spacing between the ignition electrodes
- Clean the burner tank, supply tank and unit tank thoroughly.

22.Wiring diagrams

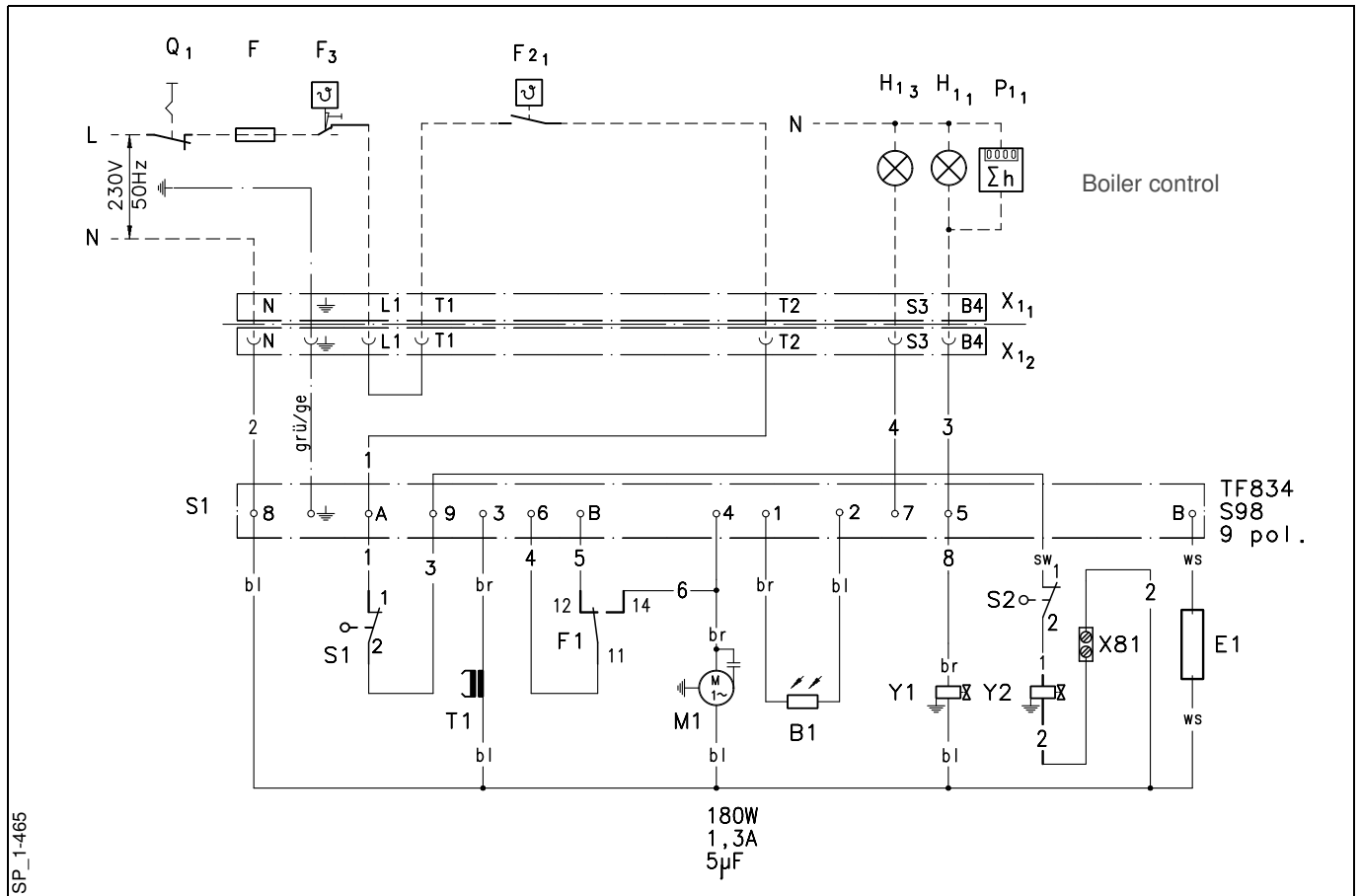
G20



- B1 Flame detector MZ770
- E1 Heating coil 1100 W
- F Ext. fuse
- F1 Control thermostat
- F21 Ext. temperature control
- F3 Ext. safety temperature limiter
- H11 Ext. status lamp
- H13 Ext. fault indication lamp
- K1 Relay
- M1 Burner motor
- P11 Ext. operating hours counter
- Q1 Heater power switch
- S1 Overflow cut-out microswitch
- S2 Level microswitch (pump solenoid valve)
- S4 Contact switch
- T1 Ignition transformer
- X11 Boiler control connector unit
- X12 Burner socket unit
- X81 Single-pole terminal strip
- Y1 Compressed air solenoid valve
- Y2 Pump solenoid valve
- PE Grounded conductor

- bl = blue
- br = brown
- ge = yellow
- gr = grey
- grü = green
- sw = black
- rt = red
- ws = white

G55/70/100

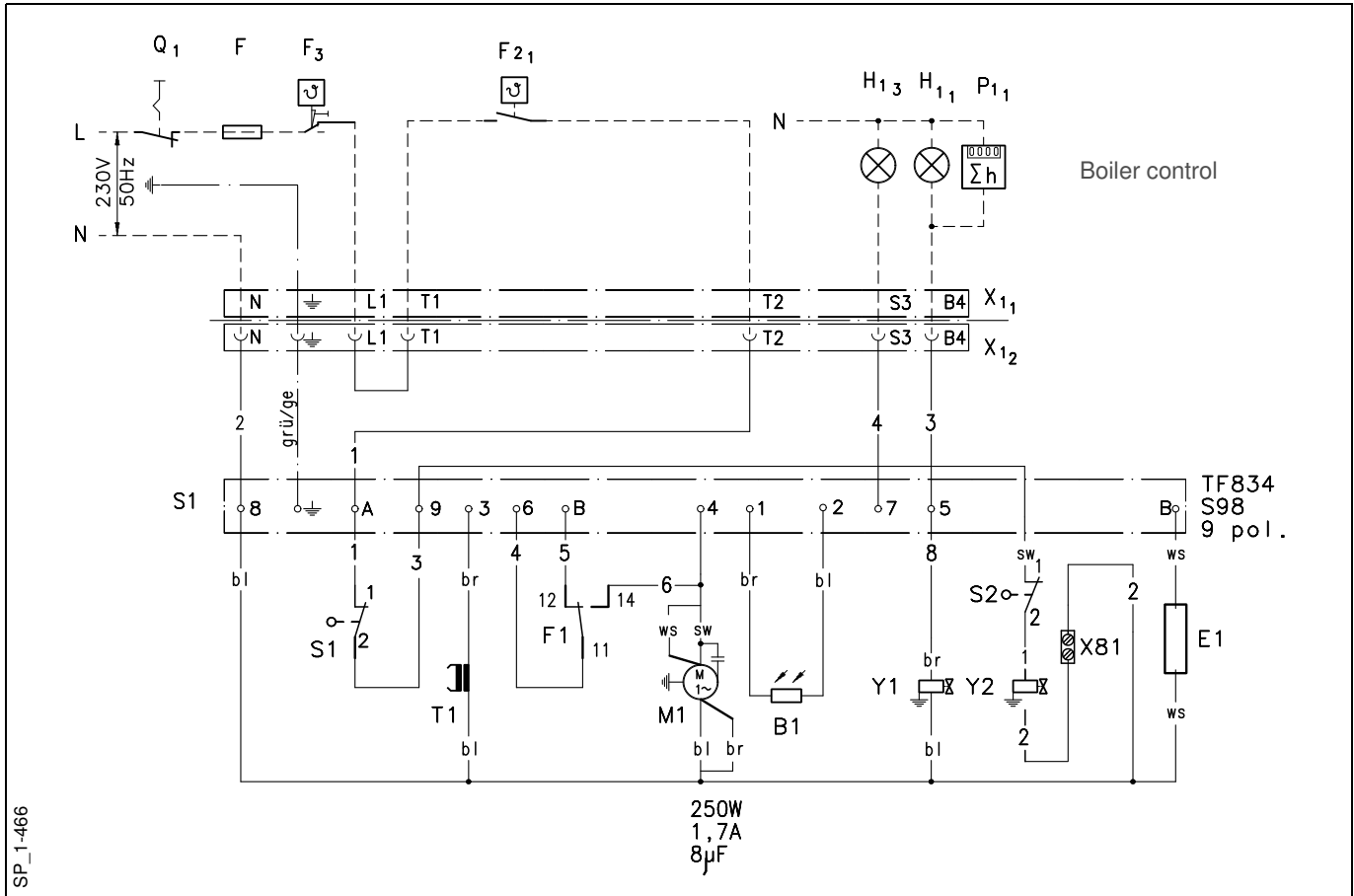


SP_1-465

- B1 Flame detector MZ770
- E1 Heating coil 1100 W
- F Ext. fuse
- F1 Control thermostat
- F21 Ext. temperature control
- F3 Ext. safety temperature limiter
- H11 Ext. status lamp
- H13 Ext. fault indication lamp
- K1 Relay
- M1 Burner motor
- P11 Ext. operating hours counter
- Q1 Heater power switch
- S1 Overflow cut-out microswitch
- S2 Level microswitch (pump solenoid valve)
- S4 Contact switch
- T1 Ignition transformer
- X11 Boiler control connector unit
- X12 Burner socket unit
- X81 Single-pole terminal strip
- Y1 Compressed air solenoid valve
- Y2 Pump solenoid valve
- PE Grounded conductor

- bl = blue
- br = brown
- ge = yellow
- gr = grey
- grü = green
- sw = black
- rt = red
- ws = white

G150-200



- B1 Flame detector MZ770
- E1 Heating coil 1100 W
- F Ext. fuse
- F1 Control thermostat
- F21 Ext. temperature control
- F3 Ext. safety temperature limiter
- H11 Ext. status lamp
- H13 Ext. fault indication lamp
- K1 Relay
- M1 Burner motor
- P11 Ext. operating hours counter
- Q1 Heater power switch
- S1 Overflow cut-out microswitch
- S2 Level microswitch (pump solenoid valve)
- S4 Contact switch
- T1 Ignition transformer
- X11 Boiler control connector unit
- X12 Burner socket unit
- X81 Single-pole terminal strip
- Y1 Compressed air solenoid valve
- Y2 Pump solenoid valve
- PE Grounded conductor

- bl = blue
- br = brown
- ge = yellow
- gr = grey
- grü = green
- rt = red
- ws = white

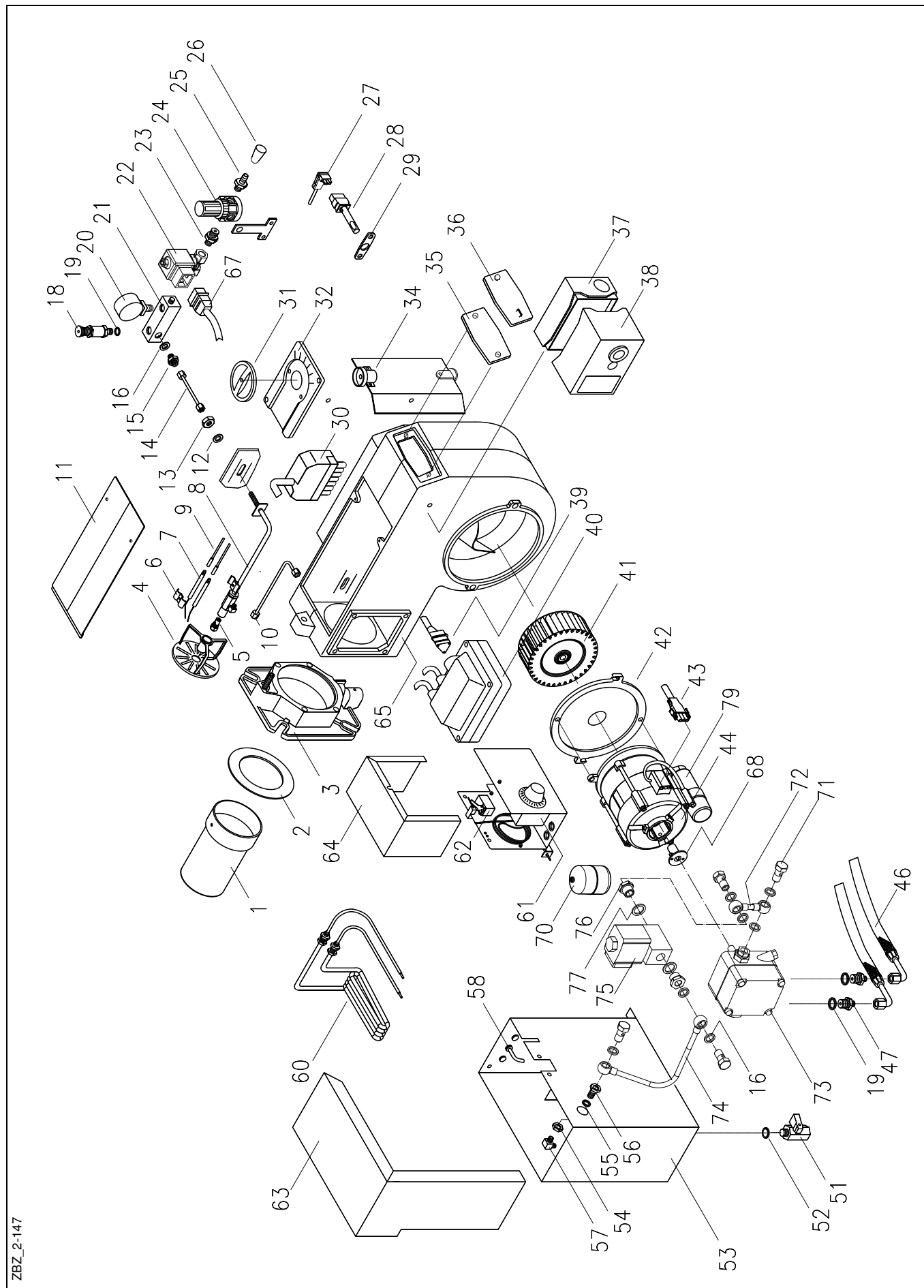
SP_1-466

23. Troubleshooting

Observation	Cause	Remedy
<p>Burner does not start up</p>	<p>Oil not combustible due to sludge and / or water</p> <p>Oil tank empty Oil level in burner tank too high</p> <p>Filter dirty, oil or air lines leaky Faulty feed pump solenoid valve</p> <p>Nozzle dirty or faulty Feed pump blocked No current Motor faulty Thermostat faulty Photocell dirty or not correctly inserted Control unit faulty No ignition</p> <p>No compressed air</p> <p>Solenoid valve faulty Compressor or air line faulty</p>	<p>Open the water drain cock on the burner tank, drain off sludge and water or use a higher-grade heating oil Refill tank with oil</p> <p>Correct the oil level by draining off oil by means of the water cock (readjust the level control float switch, if necessary)</p> <p>Clean the filter, feed pump filter and lines Check the feed pump solenoid valve and replace if necessary Replace nozzle Strip the feed pump and clean the gear Switch on the heater switch Replace Replace Clean the photocell, replace it or connect it properly Replace Adjust the ignition electrode, replace the ignition transformer if necessary and check the ignition cable Connect and/or open the compressed air and set the pressure Replace Replace</p>
<p>Burner starts very late</p>	<p>Heating cartridge and thermocouple in burner tank encrusted or faulty</p>	<p>Clean or replace the heating cartridge and thermocouple in the burner tank</p>
<p>Burner starts without pre-ventilating</p>	<p>Solenoid valve sticking in open position</p>	<p>Replace</p>
<p>No oil feed</p>	<p>Solenoid valve faulty</p>	<p>Replace</p>
<p>Flame is interrupted or extinguishes</p>	<p>Oil not combustible due to sludge and / or water</p> <p>Oil supply used up Clogged nozzle Dirty feed pump filter Oil line to tank frozen Supply tank too far away from burner Filter or oil lines dirty Solenoid valve faulty Too much or not enough compressed air</p> <p>Safety temperature limiter is in the safety position because the heater has overheated Microswitch in burner tank cuts out</p>	<p>Open the water drain cock on the burner tank, drain off sludge and water or use higher-grade oil</p> <p>Refill tank with oil Replace nozzle Clean feed pump filter Clean oil lines, and insulate tank and oil line Install an additional feed pump Replace filter and clean oil lines Replace Check compressed air and gauge pressure using primary airflow control Troubleshoot the heater and unlock the safety temperature limiter Adjust the level control float</p>
<p>Nozzle and baffle plate are heavily soiled with oil or soot</p>	<p>Incorrect baffle plate setting</p> <p>Combustion airflow rate too high or too low</p> <p>Boiler room is not sufficiently ventilated</p>	<p>Correct the baffle plate setting dimensions Set the primary airflow rate Set the secondary airflow rate at the air control flap Pay attention to sufficiently large ventilation ports</p>

24. Explosion drawing / parts list

GG55

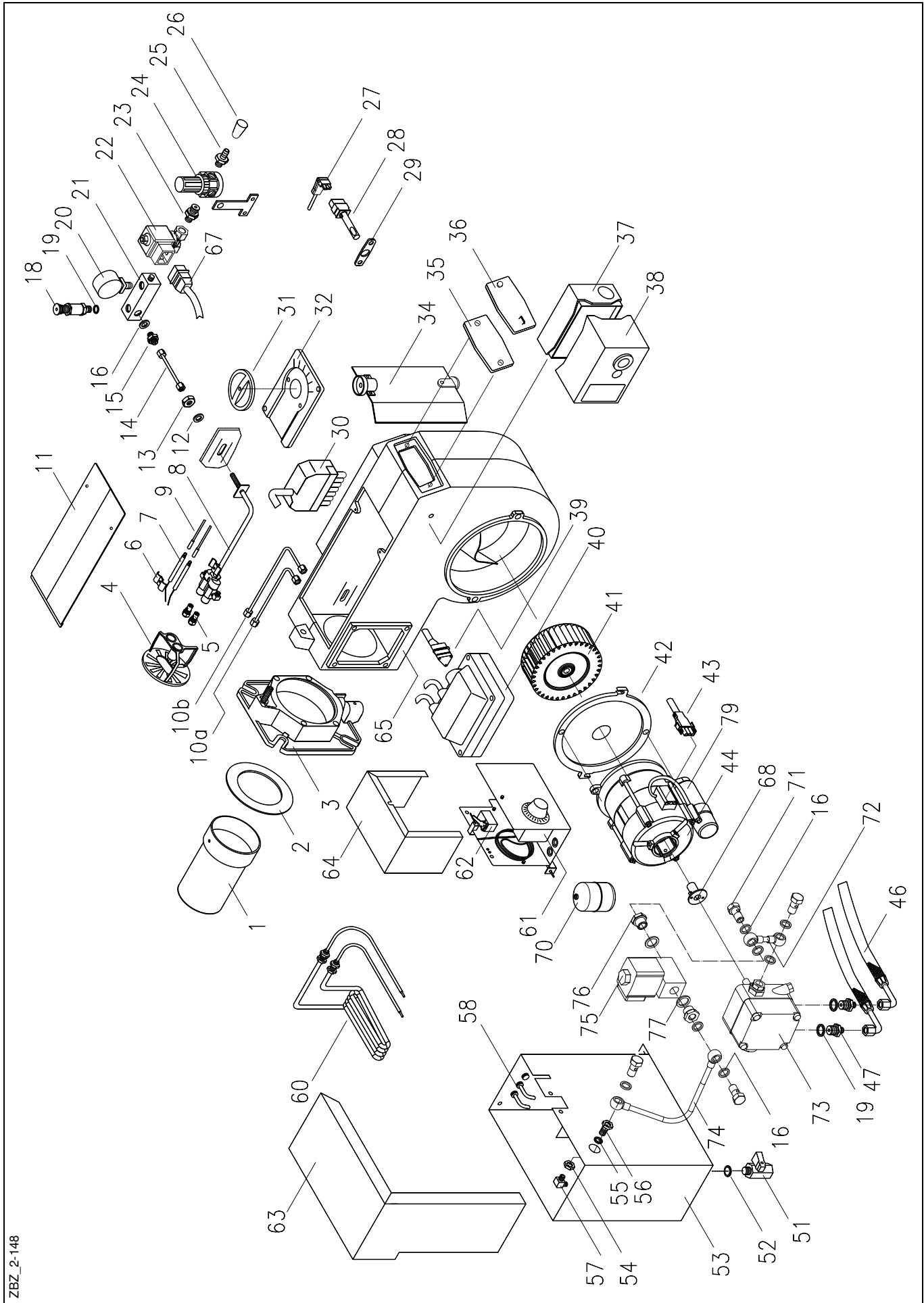


ZBZ_2-147

G55

Position	Designation	Art. No.	VE ¹⁾
1	Burner pipe	37-10-12112	1
2	Mounting flange seal	47-50-12094	5
3	Mounting flange compl.	47-30-12093	1
4	Diaphragm plate with holder compl.	41-30-20848	1
5	Delavan DA 2 nozzle	59-20-50449	1
7	Ignition electrodes (left + right)	47-90-26037	1
8	Nozzle assembly compl.	37-30-11391	1
9	Ignition cable	47-50-10564	5
10	Nozzle assembly-oil tank connecting tube	37-30-10287	1
15-26	Air distributor, compl. preassembled	47-30-24568	1
15	Pressure pipe nipple Ø 6 x 1/8"	47-50-20127	5
16	Seal AL 14 x 10 x 2	37-50-10788	50
18	Safety valve 1-4 bar	47-10-22344	1
19	Conical nipple AL 13 x 18 x 2	37-50-11293	50
20	Pressure gauge 0-2.5 bar	47-10-12121	1
22	Air solenoid valve EV 01	47-10-11120	1
22	Coil M13 for solenoid valve	59-10-50368	1
24	Replacement pressure regulator	47-30-24594	1
28	Flame detector MZ 770S	46-90-10312	1
30	Socket unit, 7-pin, with cable	47-10-11839	1
34	Air flap, compl. preassembled	47-30-12096	1
35	Sight glass	47-50-12105	10
36	Cover for sight glass G55	47-50-12106	10
37	Control unit bottom section S98, 9-pin, compl.	31-90-22664	1
38	Satronic TF 834.3 control unit	37-10-11285	1
40	Ignition transformer	47-10-11260	1
41	Fan wheel 146 x 52	47-10-12104	1
44	Motor 180 W	47-10-12113	1
46	Metal hose, nom. size 6	47-90-11347	1
47	Hose nipple R 1/4" x 8LL	37-50-11348	10
51-60	Oil tank with heating coil, compl. preassembled	47-30-26178	1
51	Drain valve	47-10-10472	2
52	Seal 24 x 16 x 2	47-50-10516	10
53	Oil tank	47-10-24519	1
60	Heating coil 1100 W	47-10-24505	1
61	Jumo surface-mounting thermostat	47-10-22805	1
62	Twin microswitch	47-10-10601	1
68	Coupling	37-50-10110	10
70	Float	47-10-22420	1
71	Banjo screw R 1/8"	37-50-10736	10
73	Suntec D45B oil pump	47-10-26160	1
73	Pressure pump kit (filter + cover seal)	47-20-26510	1
74	Solenoid valve-oil tank connecting tube	47-30-26171	1
75	Solenoid valve R 1/4" SV04	36-10-11583	1
75	Coil M20 for solenoid valve	47-10-24686	1
79	Capacitor 5 µF	59-10-50279	1

G100

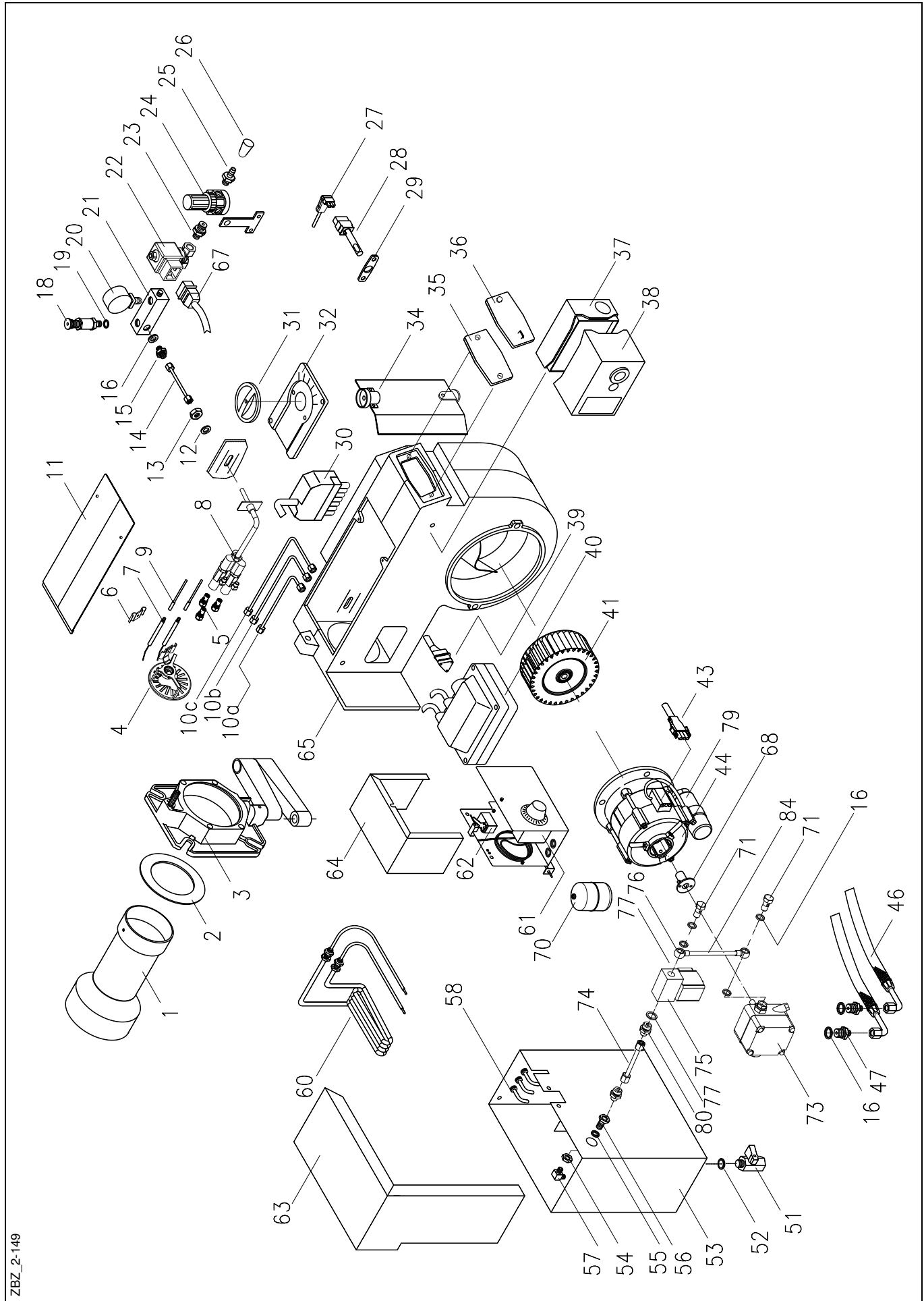


ZBZ_2-148

G100

Position	Designation	Art. No.	VE ¹⁾
1	Burner pipe	37-10-12112	1
2	Mounting flange seal	47-50-12094	5
3	Mounting flange compl.	47-30-12093	1
4	Diaphragm plate with holder compl.	41-30-20849	1
5	Delavan DA 2 nozzle	59-20-50449	1
7	Ignition electrodes (left + right)	47-90-26054	1
8	Nozzle assembly compl.	37-30-11391	1
9	Ignition cable	47-50-10564	5
10a	Nozzle assembly-oil tank connecting tube (part 1)	37-30-10370	1
10b	Nozzle assembly-oil tank connecting tube (part 2)	37-30-10371	1
15-26	Air distributor, compl. preassembled	47-30-24568	1
15	Pressure pipe nipple Ø 6 x 1/8"	47-50-20127	5
16	Seal AL 14 x 10 x 2	37-50-10788	50
18	Safety valve 1-4 bar	47-10-22344	1
19	Conical nipple AL 13 x 18 x 2	37-50-11293	50
20	Pressure gauge 0-2.5 bar	47-10-12121	1
22	Air solenoid valve EV 01	47-10-11120	1
22	Coil M13 for solenoid valve	59-10-50368	1
24	Replacement pressure regulator	47-30-24594	1
28	photoelectric cell MZ 770S	46-90-10312	1
30	Socket unit, 7-pin, with cable	47-10-11839	1
34	Air flap, compl. preassembled	47-30-12096	1
35	Sight glass	47-50-12105	10
36	Cover for sight glass G55	47-50-12106	10
37	Control unit bottom section S98, 9-pin, compl.	31-90-22664	1
38	Satronic TF 834.3 control unit	37-10-11285	1
40	Ignition transformer	47-10-11260	1
41	Fan wheel 146 x 52	47-10-12104	1
44	Motor 180 W	47-10-12113	1
46	Metal hose, nom. size 6	47-90-11347	1
47	Hose nipple R 1/4" x 8LL	37-50-11348	10
51-60	Oil tank with heating coil, compl. preassembled	47-30-26177	1
51	Drain valve	47-10-10472	2
52	Seal 24 x 16 x 2	47-50-10516	10
53	Oil tank	47-10-24519	1
60	Heating coil 1100 W	47-10-24505	1
61	Jumo surface-mounting thermostat	47-10-22805	1
62	Twin microswitch	47-10-10601	1
68	Coupling	37-50-10110	10
70	Float	47-10-22420	1
71	Banjo screw R 1/8"	37-50-10736	10
73	Suntec D45B oil pump	47-10-26160	1
73	Pressure pump kit (filter + cover seal)	47-20-26510	1
74	Solenoid valve-oil tank connecting tube	47-30-26171	1
75	Solenoid valve R 1/4" SV04	36-10-11583	1
75	Coil M20 for solenoid valve	47-10-24686	1
79	Capacitor 5 µF	59-10-50279	1

G200

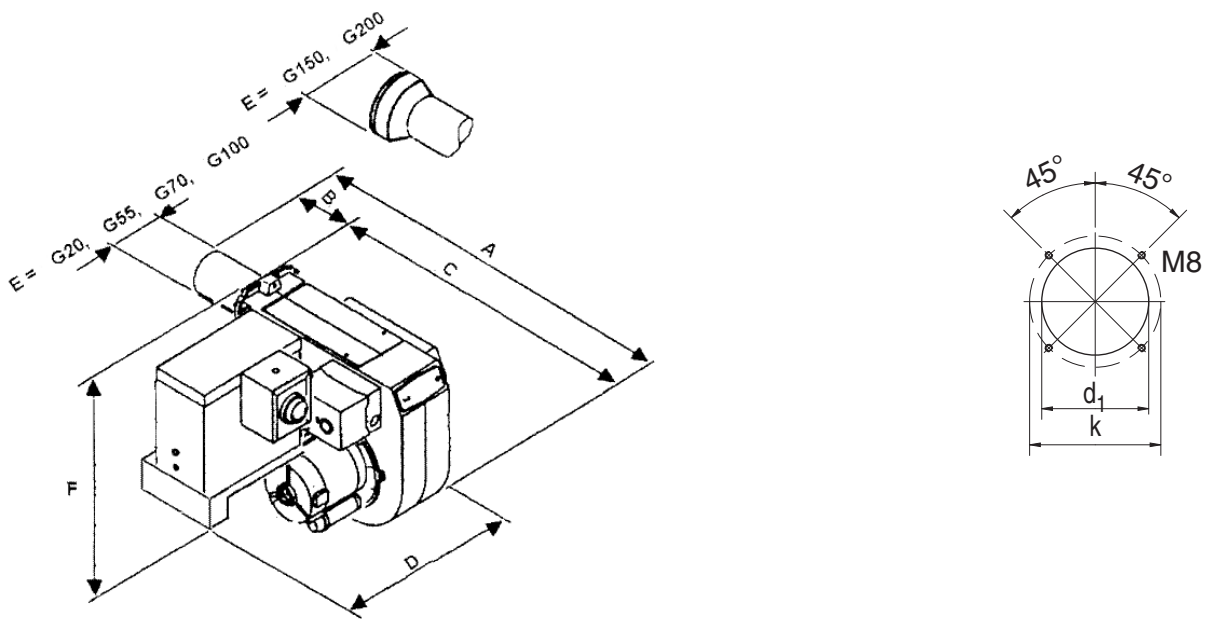


ZBZ_2-149

G200

Position	Designation	Art. No.	VE ¹⁾
1	Burner pipe	47-10-10774	1
2	Mounting flange seal	47-50-12094	5
3	Swivel flange, compl. preassembled	47-30-26181	1
4	Diaphragm plate with holder compl.	41-30-20850	1
5	Delavan DA 2 nozzle	59-20-50449	1
7	Ignition electrodes (left + right)	47-90-26511	1
8	Nozzle assembly compl.	37-30-12156	1
9	Ignition cable	47-50-12160	5
10a	Nozzle assembly-oil tank connecting tube (part 1)	47-30-26186	1
10b	Nozzle assembly-oil tank connecting tube (part 2)	47-30-26187	1
10c	Nozzle assembly-oil tank connecting tube (part 3)	47-30-26188	1
15-26	Air distributor, compl. preassembled	47-30-24568	1
15	Pressure pipe nipple Ø 6 x 1/8"	47-50-20127	5
16	Seal AL 14 x 10 x 2	37-50-10788	50
18	Safety valve 1-4 bar	47-10-22344	1
19	Conical nipple AL 13 x 18 x 2	37-50-11293	50
20	Pressure gauge 0-2.5 bar	47-10-12121	1
22	Air solenoid valve EV 01	47-10-11120	1
22	Coil M13 for solenoid valve	59-10-50368	1
24	Replacement pressure regulator	47-30-24594	1
28	photoelectric cell MZ 770S	46-90-10312	1
30	Socket unit, 7-pin, with cable	47-10-11839	1
34	Air flap, compl. preassembled	47-30-12096	1
35	Sight glass	47-50-12105	10
36	Cover for sight glass G55	47-50-12106	10
37	Control unit bottom section S98, 9-pin, compl.	31-90-22664	1
38	Satronic TF 834.3 control unit	37-10-11285	1
40	Ignition transformer	47-10-11260	1
41	Fan wheel 160 x 62	47-10-10665	1
44	Motor 250 W	33-10-10343	1
46	Metal hose, nom. size 6	47-90-11347	1
47	Hose nipple R 1/4" x 8LL	37-50-11348	10
51-60	Oil tank with heating coil, compl. preassembled	47-30-26165	1
51	Drain valve	47-10-10472	2
52	Seal 24 x 16 x 2	47-50-10516	10
53	Oil tank	47-10-24519	1
60	Heating coil 1100 W	47-10-24505	1
61	Jumo surface-mounting thermostat	47-10-22805	1
62	Twin microswitch	47-10-10601	1
68	Coupling	37-50-10110	10
70	Float	47-10-22420	1
71	Banjo screw R 1/8"	37-50-10736	10
73	Suntec D45B oil pump	47-10-26160	1
73	Pressure pump kit (filter + cover seal)	47-20-26510	1
74	Solenoid valve-oil tank connecting tube	47-30-26512	1
75	Solenoid valve R 1/4" SV04	36-10-11583	1
75	Coil M20 for solenoid valve	47-10-24686	1
79	Capacitor 8 µF	59-10-50280	1
80	Hose nipple R 1/4" x 6LL	47-50-20862	10
81	Solenoid valve-pump connecting tube	47-30-26162	1

25. Burner dimensions / boiler connecting dimensions (all dimensions are in mm)



Burner type	A	B	C	D	E	F	d1	k
G20	340	130	210	430	90	290	90	125 - 160
G55,70,100	520	140	380	430	104	270	104	150 - 195
G150,200	590	160	430	460	146	320	104/146	150 - 195

All information in this technical documentation as well as the drawings, photos and technical descriptions placed at your disposal remain our property and may not be duplicated without our written permission given in advance.
Subject to alterations.

GIERSCH

Enertech GmbH • Brenner und Heizsysteme
Adjutantenkamp 18 • D-58675 Hemer •
Telephone +49 (0)2372/965-0 • Telefax +49 (0)2372/61240
E-mail: kontakt@giersch.de • Website: <http://www.giersch.de>

