

INDOOR UNIT

No. OBB902

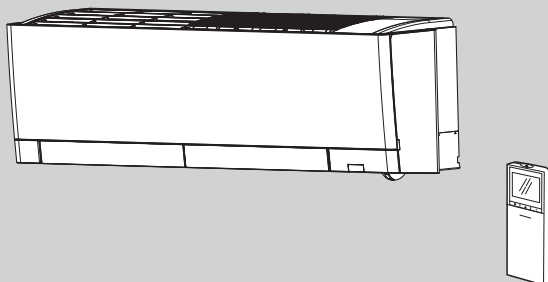
PARTS CATALOG

Models

MSZ-RW25VG - E1, SC1

MSZ-RW35VG - E1, SC1

MSZ-RW50VG - E1, SC1



CONTENTS

- 1. SERVICE PARTS LIST 2
- 2. OPTIONAL PARTS 8

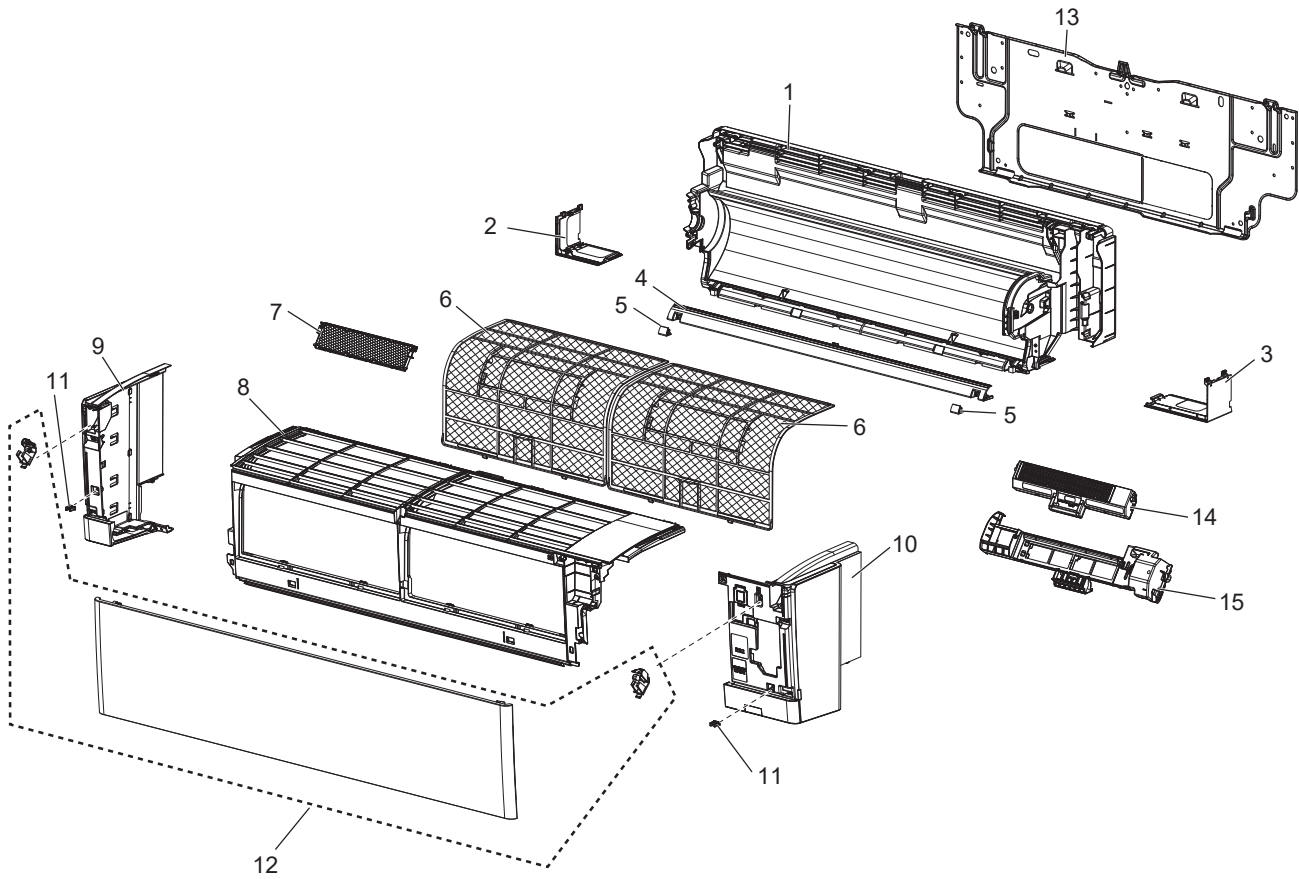
SERVICE MANUAL (OBH902)

1

SERVICE PARTS LIST

MSZ-RW25VG MSZ-RW35VG MSZ-RW50VG

1-1. INDOOR UNIT STRUCTURAL PARTS



MSZ-RW25VG MSZ-RW35VG MSZ-RW50VG

1-2. ACCESSORY AND REMOTE CONTROLLER



1-1. INDOOR UNIT STRUCTURAL PARTS

1. The part quantity below indicates the required number of pieces per unit.

No.	Part No.	Part name	MSZ-RW25VG - [E1]	MSZ-RW35VG - [E1]	MSZ-RW50VG - [E1]	MSZ-RW25VG - [SC1]	MSZ-RW35VG - [SC1]	MSZ-RW50VG - [SC1]	Symbol in Wiring Diagram	Remarks
1	E22 69R 234	BOX ASSEMBLY	1	1	1	1	1	1		
2	E22 69R 976	CORNER BOX (L)	1	1	1	1	1	1		
3	E22 69R 975	CORNER BOX (R)	1	1	1	1	1	1		
4	E22 69R 717	PANEL(U)	1	1	1	1	1	1		
5	E22 69R 067	SCREW CAP ASSEMBLY	2	2	2	2	2	2		2pcs/set
6	E22 69R 100	AIR FILTER	2	2	2	2	2	2		1 PC/SET
7	—	AIR CLEANING FILTER (DEODORIZING FILTER)	1	1	1	1	1	1		1 PC/SET
8	E22 69R 000	PANEL ASSEMBLY (F)	1	1	1	1	1	1		
9	E22 69R 086	PANEL ASSEMBLY (L)	1	1	1	1	1	1		Includes CATCH
10	E22 69R 085	PANEL ASSEMBLY (R)	1	1	1	1	1	1		Includes CATCH
11	E22 F95 142	CATCH	2	2	2	2	2	2		2 PCS/SET
12	E22 69R 010	FRONT PANEL	1	1	1	1	1	1		
13	E22 66R 970	INSTALLATION PLATE	1	1	1					
13	E22 69R 970	INSTALLATION PLATE				1	1	1		
14	E22 Y52 774	AIR PURIFYING DEVICE	1	1	1	1	1	1		
15	E22 69R 775	AIR PURIFYING DEVICE SUPPORT	1	1	1	1	1	1		Equipped with connecting terminal

1-2. ACCESSORY AND REMOTE CONTROLLER

1. The part quantity below indicates the required number of pieces per unit.

No.	Part No.	Part name	MSZ-RW25VG - [E1]	MSZ-RW35VG - [E1]	MSZ-RW50VG - [E1]	MSZ-RW25VG - [SC1]	MSZ-RW35VG - [SC1]	MSZ-RW50VG - [SC1]	Symbol in Wiring Diagram	Remarks
16	E22 66R 426	REMOTE CONTROLLER	1	1	1					SH21A
16	E22 69R 426	REMOTE CONTROLLER				1	1	1		SH21B

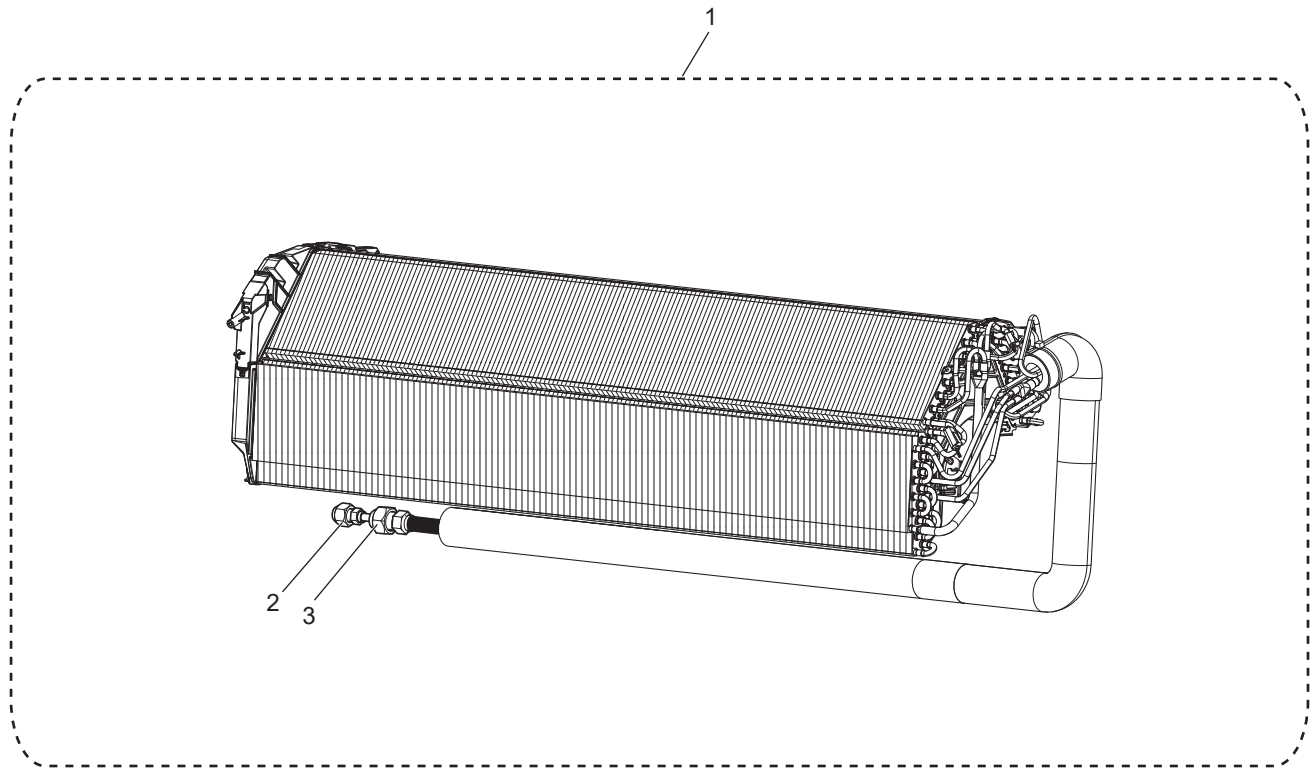
1-3. INDOOR UNIT ELECTRICAL PARTS AND FUNCTIONAL PARTS

1. The part quantity below indicates the required number of pieces per unit.

No.	Part No.	Part name	MSZ-RW25VG - [E]	MSZ-RW35VG - [E]	MSZ-RW50VG - [E]	MSZ-RW25VG - [S]	MSZ-RW35VG - [S]	MSZ-RW50VG - [S]	Symbol in Wiring Diagram	Remarks
1	E22 69R 302	LINE FLOW FAN	1	1	1	1	1	1		
2	E22 A89 509	BEARING MOUNT ASSEMBLY	1	1	1	1	1	1		
3	E22 T20 702	DRAIN HOSE	1	1	1					
3	E22 81J 702	DRAIN HOSE				1	1	1		
4	E22 69R 235	NOZZLE ASSEMBLY	1	1	1	1	1	1		Full assembly except drain hose
5	E22 69R 541	WATER COVER	1	1	1	1	1	1		
6	E22 69R 333	MOTOR BAND	1	1	1	1	1	1		
7	E22 29L 300	INDOOR FAN MOTOR	1	1	1	1	1	1	MF	Includes rubber mounts RC0J40- □□
8	E22 70R 333	MOTOR BED	1	1	1	1	1	1		
9	E22 J44 303	VERTICAL VANE MOTOR	2	2	2	2	2	2	MV2	
10	E27 103 303	HORIZONTAL VANE MOTOR	4	4	4	4	4	4	MV1	
11	E22 69R 041	HORIZONTAL VANE LOWER (L)	1	1	1	1	1	1		
12	E22 70R 041	HORIZONTAL VANE LOWER (R)	1	1	1	1	1	1		
13	E22 69R 040	HORIZONTAL VANE UPPER (L)	1	1	1	1	1	1		
14	E22 70R 040	HORIZONTAL VANE UPPER(R)	1	1	1	1	1	1		
15	E22 69R 784	V.A. CLAMP	1	1	1	1	1	1		
16	E22 69R 391	DISPLAY AND i-see SENSOR ASSEMBLY	1	1	1	1	1	1		Includes i-See Sensor, MT, DISPLAY P.C. BOARD, RECEIVER P.C. BOARD
17	E22 69R 095	DISPLAY RECEIVER P.C.B HOLDER	1	1	1	1	1	1		
18	E22 69R 468	DISPLAY AND RECEIVER P.C. BOARD	1	1	1	1	1	1		DISPLAY P.C. BOARD, RECEIVER P.C. BOARD combined type
19	E22 69R 375	TERMINAL BLOCK	1	1	1	1	1	1	TB	
20	E22 42J 382	FUSE	1	1	1	1	1	1	F11	T3.15AL250V
21	E22 K90 385	VARISTOR	1	1	1	1	1	1	NR11	
22	E22 69R 308	ROOM TEMPERATURE THERMISTOR	1	1	1	1	1	1	RT11	
23	E22 66R 452	ELECTRONIC CONTROL P.C. BOARD	1							
23	E22 67R 452	ELECTRONIC CONTROL P.C. BOARD		1						
23	E22 68R 452	ELECTRONIC CONTROL P.C. BOARD			1					
23	E22 69R 452	ELECTRONIC CONTROL P.C. BOARD				1				
23	E22 70R 452	ELECTRONIC CONTROL P.C. BOARD					1			
23	E22 71R 452	ELECTRONIC CONTROL P.C. BOARD						1		
24	E22 69R 307	INDOOR COIL THERMISTOR	1	1		1	1		RT12, RT13	Combined type
24	E22 71R 307	INDOOR COIL THERMISTOR			1			1	RT12, RT13	Combined type
25	E22 69R 440	POWER P.C. BOARD	1	1	1	1	1	1		
26	E22 69R 457	Wi-Fi ASSEMBLY MB5071F-E	1	1	1	1	1	1		Includes INTERLOCK SWITCH, SWITCH/BUZZER P.C. BOARD

MSZ-RW25VG MSZ-RW35VG MSZ-RW50VG

1-4. INDOOR UNIT HEAT EXCHANGER



1. The part quantity below indicates the required number of pieces per unit.

No.	Part No.	Part name	MSZ-RW25VG - [E]	MSZ-RW35VG - [E]	MSZ-RW50VG - [E]	MSZ-RW25VG - [S]	MSZ-RW35VG - [S]	MSZ-RW50VG - [S]	Symbol in Wiring Diagram	Remarks
1	E22 66R 620	INDOOR HEAT EXCHANGER	1	1						
1	E22 68R 620	INDOOR HEAT EXCHANGER			1					
1	E22 69R 620	INDOOR HEAT EXCHANGER				1	1			
1	E22 71R 620	INDOOR HEAT EXCHANGER						1		
2	E22 151 667	UNION (LIQUID)	1	1	1	1	1	1		for liquid ø6.35
3	E22 815 666	UNION (GAS)	1	1	1	1	1	1		for gas ø9.52

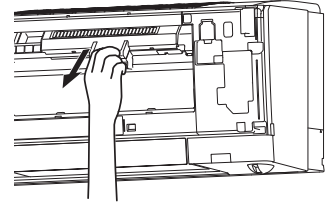
1-5. AIR PURIFYING DEVICE

Every 3 months:

- Remove dirt by a vacuum cleaner.

When dirt cannot be removed by vacuum cleaning:

- Soak the filter together with its frame in lukewarm water and rinse it.
- After washing, dry it well in shade.



NOTE 1: Clean the filters regularly for best performance and to reduce power consumption.

NOTE 2: Dirty filters cause condensation in the air conditioner which will contribute to the growth of fungi such as mold. It is therefore recommended to clean air filters every 2 weeks.

NOTE 3: Do not touch the i-see sensor.

NOTE 4: The air purifying device does not function for safety for a couple minutes after the operation starts or the front panel is opened/closed.

NOTE 5: Do not disassemble the air purifying device.

NOTE 6: Do not touch any parts other than the frame of the air purifying device.

1-6. AIR CLEANING FILTER

[DEODORIZING FILTER (BLACK)]

Every 3 months:

- Remove dirt by a vacuum cleaner, or soak the framed filter in lukewarm water (30 to 40 °C) for about 15 minutes. Rinse well.
- After washing, dry it well in shade.
- Deodorizing feature recovers by cleaning the filter.

When dirt or smell cannot be removed by cleaning:

- Replace it with a new air cleaning filter.

NOTE 1: Clean the filters regularly for best performance and to reduce power consumption.

NOTE 2: Dirty filters cause condensation in the air conditioner which will contribute to the growth of fungi such as mold. It is therefore recommended to clean air filters every 2 weeks.

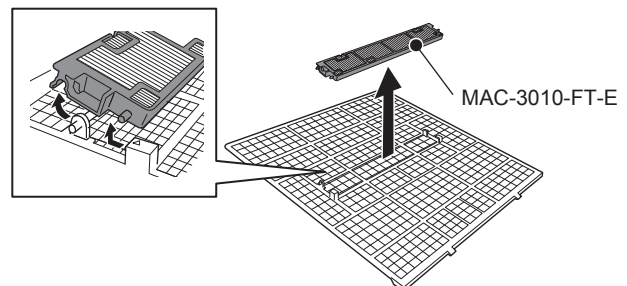
NOTE 3: Do not touch the i-see sensor.

NOTE 4: The air purifying device does not function for safety for a couple minutes after the operation starts or the front panel is opened/closed.

NOTE 5: Do not disassemble the air purifying device.

NOTE 6: Do not touch any parts other than the frame of the air purifying device.

Model	Part No.
MSZ-RW25VG MSZ-RW35VG MSZ-RW50VG	MAC-3010FT-E



2-1. AIR CLEANING FILTER

[V BLOCKING FILTER (GREEN)]

Every 3 months:

- Remove dirt by a vacuum cleaner.

When dirt cannot be removed by vacuum cleaning:

- Soak the filter and its frame in lukewarm water before rinsing it.
- After washing, dry it well in shade. Install all tabs of the air filter.

Every year:

- Replace it with a new air cleaning filter for best performance.

NOTE 1: Clean the filters regularly for best performance and to reduce power consumption.

NOTE 2: Dirty filters cause condensation in the air conditioner which will contribute to the growth of fungi such as mold. It is therefore recommended to clean air filters every 2 weeks.

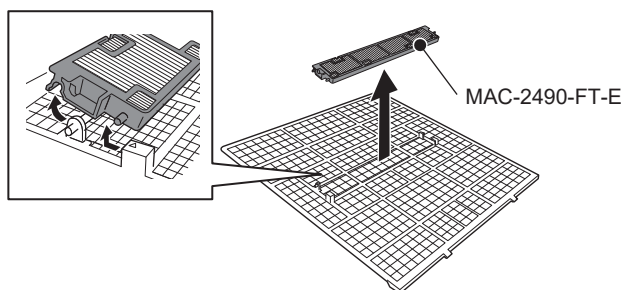
NOTE 3: Do not touch the i-see sensor.

NOTE 4: The air purifying device does not function for safety for a couple minutes after the operation starts or the front panel is opened/closed.

NOTE 5: Do not disassemble the air purifying device.

NOTE 6: Do not touch any parts other than the frame of the air purifying device.

Model	Part No.
MSZ-RW25VG	MAC-2490FT-E
MSZ-RW35VG	
MSZ-RW50VG	



MITSUBISHI ELECTRIC CORPORATION

HEAD OFFICE: TOKYO BUILDING, 2-7-3, MARUNOUCHI, CHIYODA-KU, TOKYO 100-8310, JAPAN

© Copyright 2021 MITSUBISHI ELECTRIC CORPORATION

Published: Jul. 2021. No. OBB902

Made in Japan

Specifications are subject to change without notice.