

VIADRUS

Power of heating

Hercules U22 Basic

Cast-iron solid fuel boiler

Hercules U22 model Basic is basic version of storied U22 boiler. It is destined for users who prefer lower price but accepts no quality compromises. Boiler has rear-side operated chimney flap. Draught control is an option accessory by request. Thermal insulation of the boiler block is a little bit thinner comparing to standard one. Cast-iron heat exchanger and quality of this boiler remains the same as for standard C/D versions. It is an perfect general purpose boiler for low-cost solid fuel heating of residential houses and other smaller buildings. The boiler has low chimney draught demands. It works both in natural or forced circulation heating systems and it is very easy and simple to use. Comfortable use of big firewood log pieces is enabled by big feeding door hole. It is possible to convert this solid fuel boiler to gas/oil boiler equipped with jet burner (P/N versions).

Advantages:

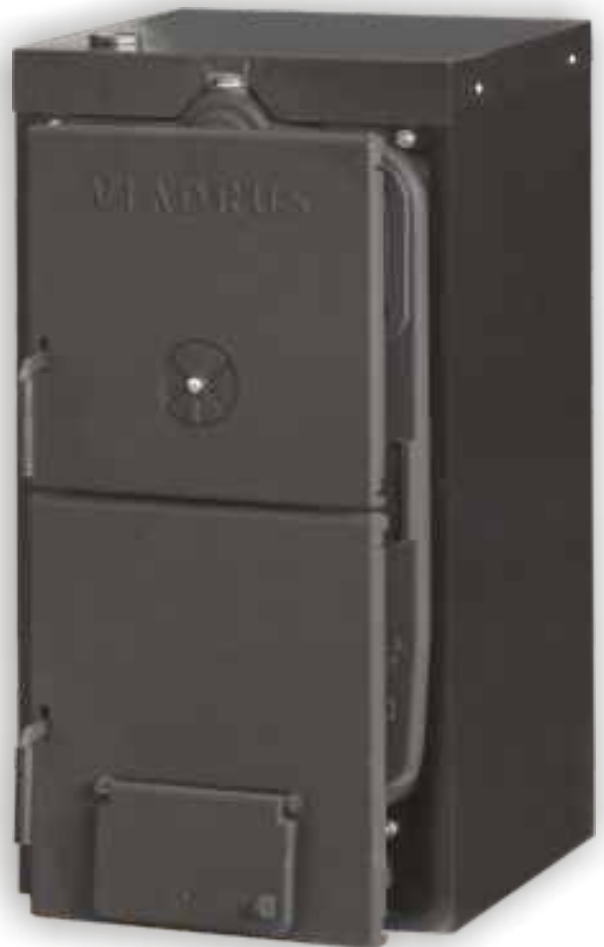
- high service life of the cast-iron exchanger
- five year boiler block guarantee
- low price
- simple operation and maintenance
low demands on a chimney draught
- large stokehole for firing almost 100 mm diameter lump wood
- wide range of power output according to the section number

Fuel / fuel humidity:

- coke, 20~60 mm / <15%
- hard coal, 30~80 mm / <15%
- firewood, up to Ø 100 mm / <20%

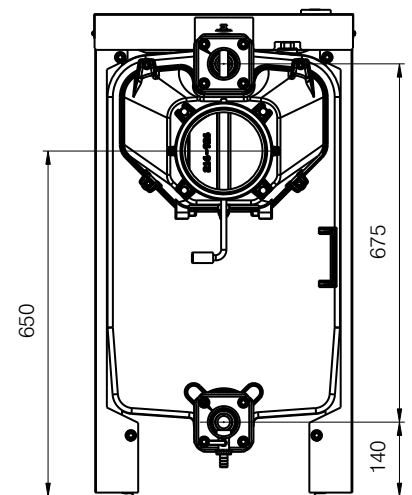
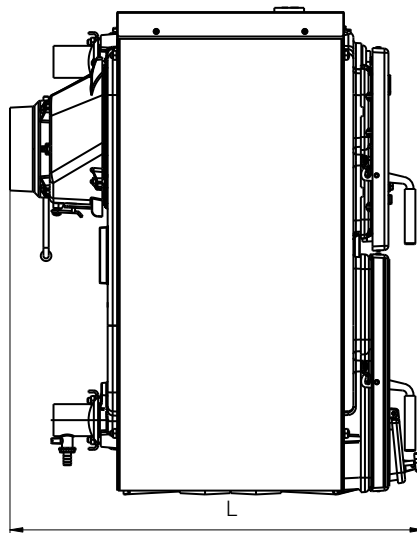
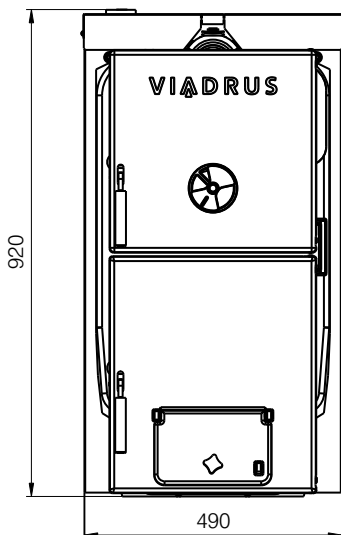
Boiler output (according to section number):

- 11,7~58,1 kW



Technical parameters

Section number	pcs	3	4	5	6	7	8	9	10	
Boiler class according to EN 303 - 5	-					1				
Rated output	- coke and hard coal	kW	17,7	23,3	29,1	34,9	40,7	46,5	52,3	58,1
	- firewood	kW	13,0	20,0	25,0	30,0	35,0	40,0	45,0	49,0
Fuel consumption	- coke	kg/hour	2,9	3,8	4,7	5,7	6,6	7,5	8,5	9,4
	- hardcoal	kg/hour	3,0	4,0	4,9	5,9	6,9	7,9	8,9	9,9
	- firewood	kg/hour	5,0	6,4	8,0	9,6	11,2	12,8	14,4	15,7
Efficiency	- coke and hard coal	%					75~80			
	- firewood	%					75			
Flue gases temperature	- coke and hard coal	°C					<280			
	- firewood	°C					<320			
Dimensions	- height	mm					920			
	- width	mm					490			
	- depth L	mm	680	780	870	970	1070	1160	1260	1350
Weight		kg	218	252	282	312	347	377	417	448
Fire chamber depth		mm	240	340	430	530	620	720	810	910
Recommended firewood log length		mm	180	270	360	450	540	630	720	810
Chimney connection diameter		mm	156	156	156	156	156	156	176	176
Chimney draught		Pa	>14	>16	>18	>20	>22	>24	>26	>28
Heating and return water connection		-					DN 50			
Water working overpressure		kPa					50~400			
Water testing overpressure		kPa					800			
Recommended water working temperature		°C					60~90			
Return water min. temperature		°C					60			
Water volume		l	31,5	36,2	40,9	45,6	50,3	55,0	59,7	64,4
Noise level		dB					<65 dB (A)			



Cast-iron pedestal
(optional accessory)



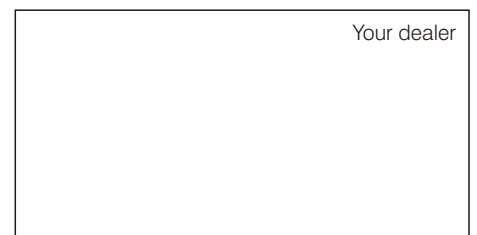
Rear-side chimney
flap control



Ready for draught control
(optional accessory)



Your dealer



This is only an illustrative and informative matter.