

ACCUMULATION STORAGE TANKS MI



ABOUT THE COMPANY

Mindreks Metall OÜ is a company engaged in metal working. The company's principal direction is the fabrication and export of metal pressure vessels, i.e. storage tanks. In addition to the above, we offer customers a broad selection of metal works ranging from design work to product fabrication.

Mindreks Metall OÜ offers the following services:

- Manufacturing of storage tanks**
- welding of steel**
- welding of stainless material**
- welding of aluminium**
- CNC plasma cutting**
- CNC profile bending works**
- roll compaction and pipe bending works**
- manufacturing of metal structures**
- surface treatment and painting**

MINDREKS METALL OÜ

Office:

Põik4, Tartu

ESTONIA 50603

Manufacture:

Tehase2, Ahja,

ESTONIA 63710

www.mindreksmetall.eu

mehis@mindreks.ee

MI-AccutanK TYPES

MI-AccutanK

Simple storage tank
Possibility of connection of more heat sources
Compatible with an additional electrical heating source
Removable Insulation
Tank and insulation delivery separately
Supply with insulation or without

MI-AccutanK-WATER

Storage tank with upper ribbed stainless steel spiral for heat hot water
Possibility of connection of more heat sources
Compatible with an additional electrical heating source
Removable Insulation
Tank and insulation delivery separately
Supply with insulation or without

MI-AccutanK-SOLAR

Storage tank with lower ribbed stainless steel spiral for heat hot water
Possibility of connection of more heat sources
Compatible with an additional electrical heating source
Removable Insulation
Tank and insulation delivery separately
Supply with insulation or without

MI-AccutanK-WATER/SOLAR

Storage tank with upper ribbed stainless steel spiral for heat hot water, and lower ribbed stainless steel spiral for connection solar heating
Possibility of connection of more heat sources
Compatible with an additional electrical heating source
Removable Insulation
Tank and insulation delivery separately
Supply with insulation or without

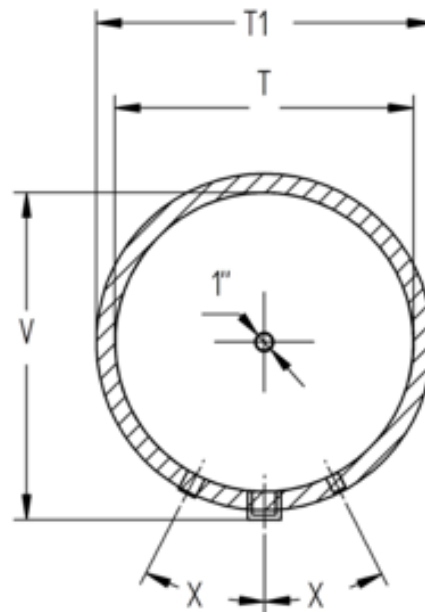
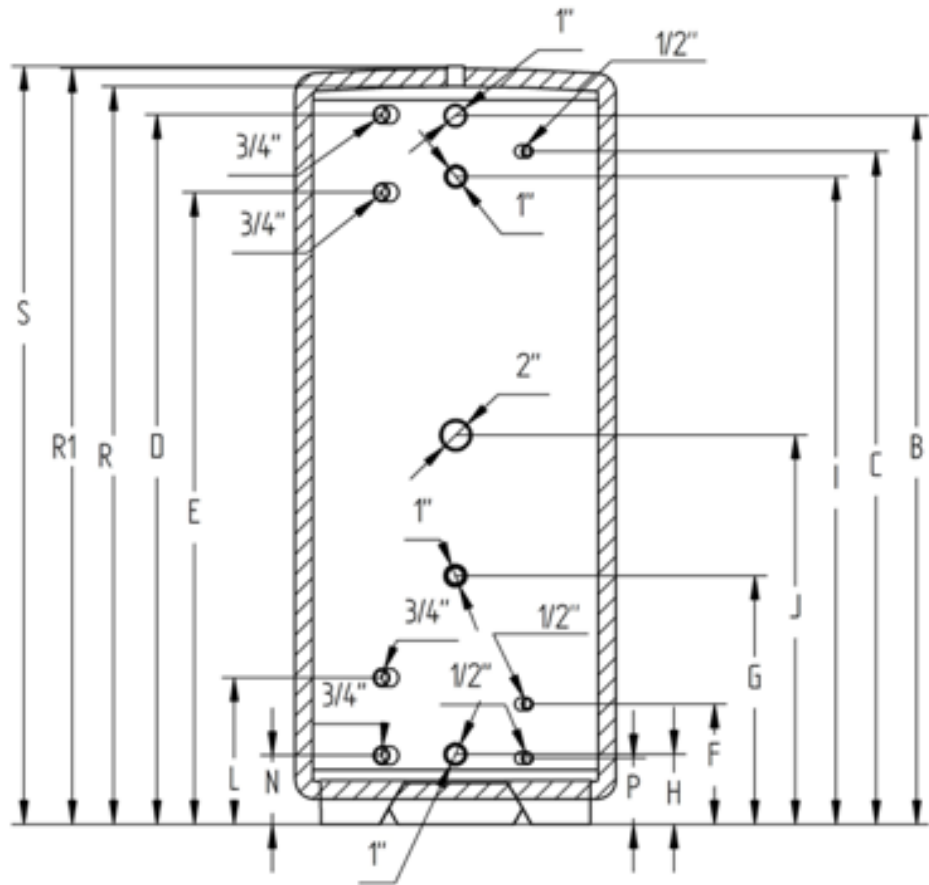
MI-Accutank

MODEL	CAPACITY	D	H
CODE	(L)	(mm)	(mm)
MI100	100	450	750
MI200	200	450	1400
MI300	300	550	1400
MI400	400	550	1700
MI 500	500	630	1700
MI 630	630	630	2200
MI 720	720	770	1700
MI 950	950	770	2200
MI 1100	1100	950	1700
MI 1400	1400	950	2200
MI 1900	1900	1250	1700
MI 2500	2500	1250	2200
MI 3000	3000	1350	2200

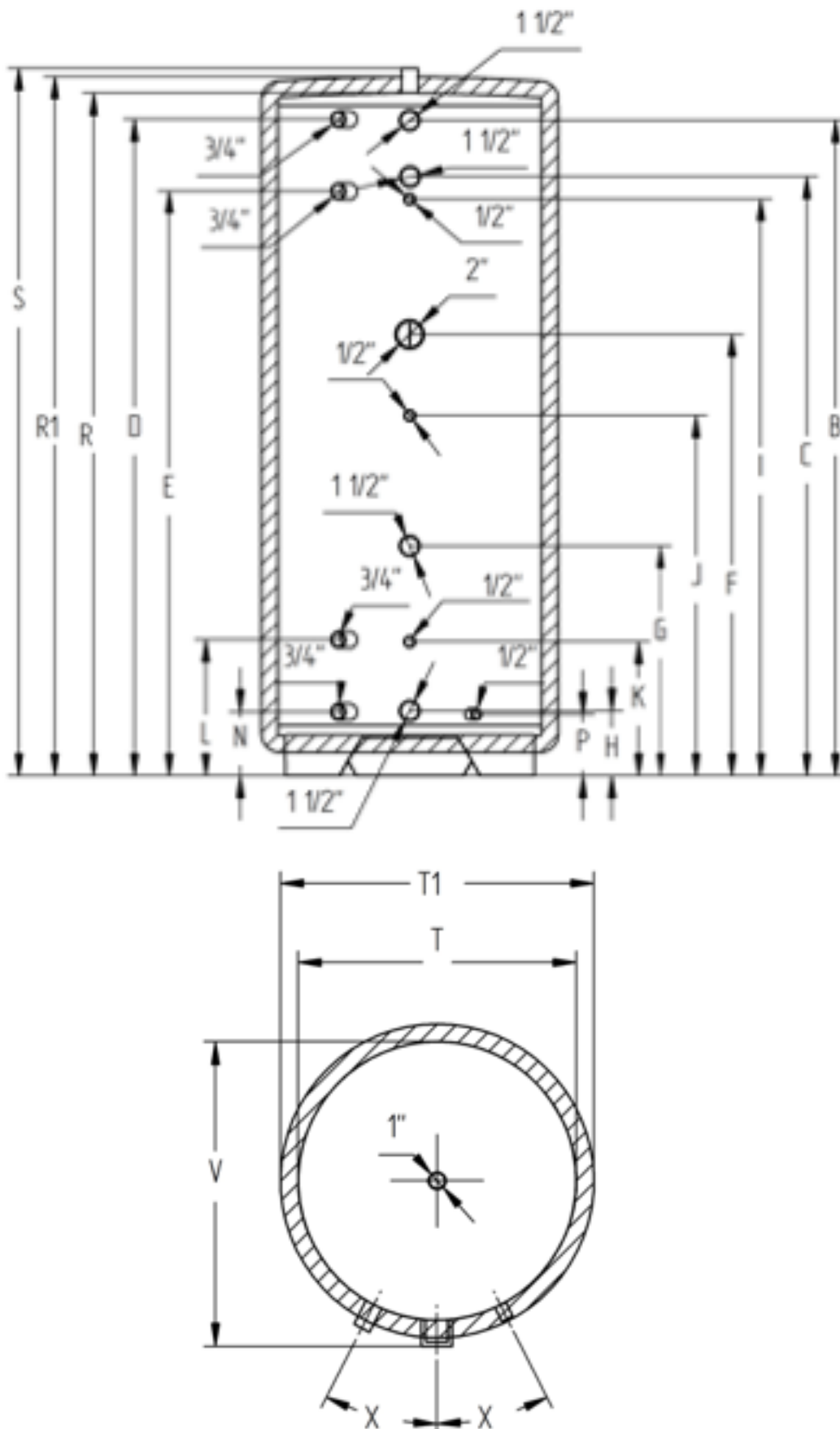


MI-AccutanK 100 litres

SYMBOL	100L
B	690
C	650
D	X
E	X
F	250
G	355
H	165
I	610
J	455
K	X
L	X
P	160
R	823
R1	868
S	868
T	450
T1	550
V	500
X	203
WEIGHT	30
MAX. WORKING PRESSURE/ BAR	2,5
MAX. TEMP.	95C



MI-AccutanK 200-3000 litres



MI-AccutanK 200-3000 litres

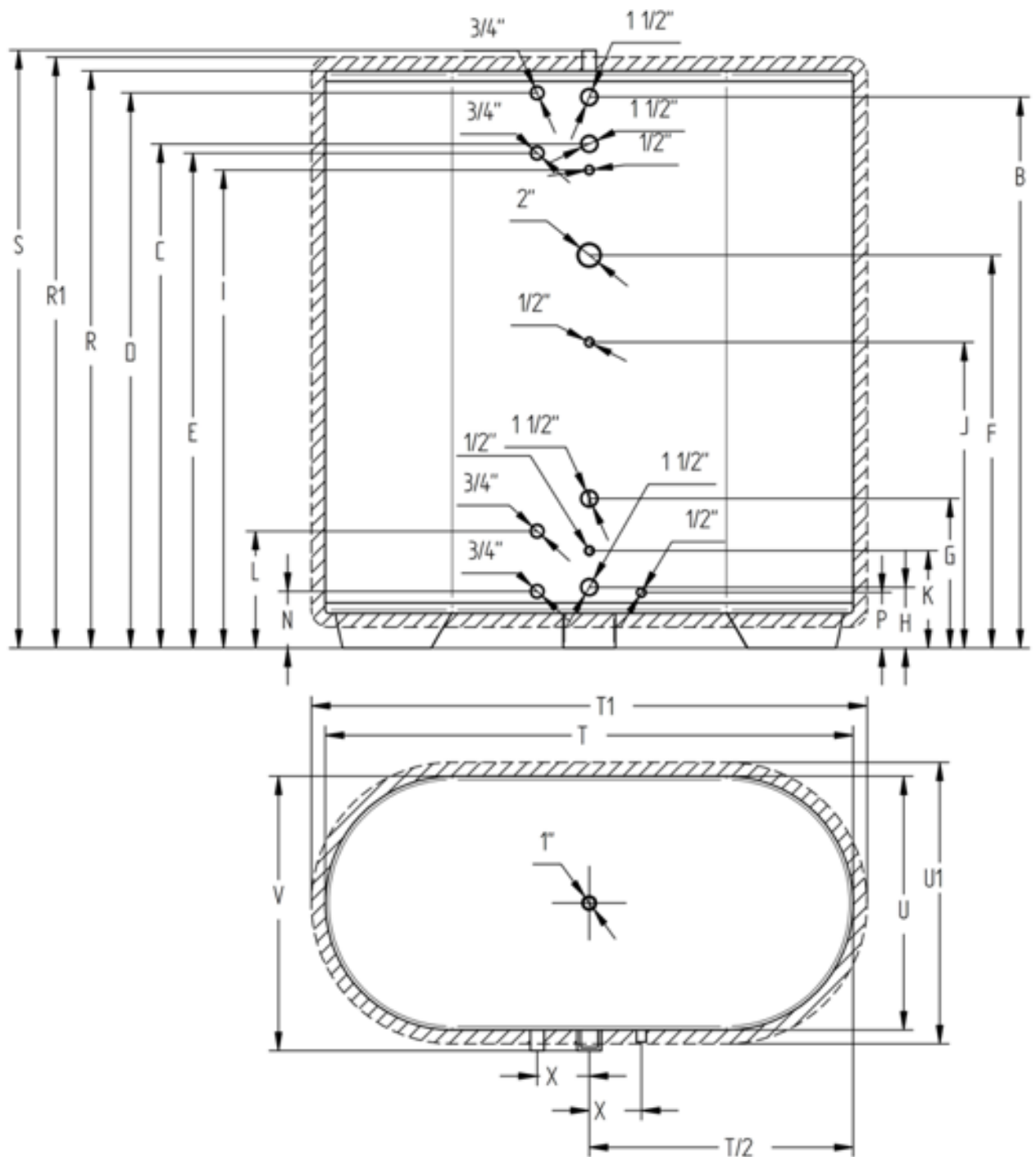
SYMBOL	200 L	300 L	400 L	500 L	630 L	720 L	950 L	1100 L	1400 L	1900 L	2500 L	3000 L
B	1302	1302	1590	1575	2059	1555	2063	1575	2080	1567	2060	2090
C	1142	1142	1440	1468	1883	1405	1889	1435	1877	1380	1777	1894
D	1329	1329	1590	1570	2059	1555	2062	1575	2080	1580	2060	2090
E	1142	1142	1440	1421	1883	1405	1889	1435	1920	1430	1919	1894
F	932	932	1200	1020	1374	1075	1392	1025	1370	1137	1457	1784
G	462	462	615	570	781	625	783	575	877	597	627	774
H	192	192	190	180	175	175	180	175	190	190	190	194
I	1042	1042	1315	1330	1673	1285	1700	1325	1687	1257	1657	1784
J	742	742	885	870	1200	885	1203	870	1127	880	1127	1334
K	330	330	405	420	581	435	586	575	530	390	480	474
L	X	462	405	370	508	433	436	416	429	390	380	484
N	X	192	190	180	175	185	180	188	190	190	190	194
P	150	172	190	160	175	165	180	155	160	160	160	169
R	1390	1390	1660	1655	2160	1670	2165	1660	2175	1685	2185	2185
R1	1440	1440	1705	1755	2260	1770	2265	1760	2275	1785	2285	2285
S	1440	1440	1705	1755	2260	1770	2265	1760	2275	1785	2285	2285
T	450	550	550	630	630	770	770	960	960	1260	1260	1350
T1	550	650	650	830	830	970	970	1150	1150	1450	1450	1550
V	500	600	600	730	730	870	870	1060	1060	1360	1360	1450
X	135	239	200	200	200	150	200	230	266	220	200	250
XS	200	250	148	177	200	155	200	200	220	264	200	210
WEIGHT	50	55	80	100	110	125	155	180	240	250	330	375
MAX. PRESSURE/BAR	2,5	2,5	2,5	2,5	2,5	2,5	2,5	2,5	2,5	2,5	2,5	2,5
MAX. TEMP.	95C	95C	95C	95C	95C	95C	95C	95C	95C	95C	95C	95C

MI-AccutanK Oval1000-3000 litres

MODEL CODE	CAPACITY (L)	DEPTH (mm)	H (mm)	WIDTH (mm)
MI 1000 OV	1000	730	1820	1100
MI 1500 OV	1500	730	1820	1520
MI 2000 OV	2000	730	1820	1900
MI 2500 OV	2500	730	1820	2400
MI 3000 OV	3000	730	1820	2780



MI-AccutanK Oval 1000-3000 litres



MI-AccutanK Oval 1000-3000 litres

SYMBOL	1000L	1500L	2000L	2500L	3000L
B	1604	1617	1605	1611	1610
C	1446	1459	1442	1451	1465
D	1604	1617	1605	1611	1610
E	1446	1473	1442	1451	1465
F	1135	1150	1135	1121	1085
G	624	637	625	611	575
H	226	239	224	211	230
I	1364	1377	1365	1451	1315
J	914	930	912	901	865
K	476	490	475	461	425
L	453	426	467	401	425
N	226	229	224	211	230
P	208	219	195	181	205
R	1700	1719	1700	1676	1730
R1	1800	1819	1800	1776	1830
S	1800	1819	1800	1776	1830
T	1100	1520	1930	2420	2770
T1	1300	1720	2130	2620	2970
V	800	800	800	800	800
X	260	256	235	300	205
XS	216	213	255	200	230
U	700	700	700	700	700
U1	900	900	900	900	900
T1/2	650	860	1065	1310	1485
WEIGHT	250	290	350	450	510
MAX. WORKING PRESSURE/BAR	2	2	2	2	2
MAX. TEMP.	95C	95C	95C	95C	95C

Declaration of Conformity

Producer: Mindreks Metall OÜ , Põik 4, Tartu, Eesti 50603

Products: Accumulation tanks - MI 100, MI 200, MI 300, MI 400, MI 500, MI 720, MI 950, MI 1100, MI 1400, MI 1500, MI 1900, MI 2500, MI 3000, MI 1500 OV, MI 2000 OV, MI 2500 OV, MI 3000 OV

Field of operation: accumulation tanks, which are put in use for heating/cooling fluid storage or pressure control in open/closed heating circuits.

The conformity is in accordance with the following EN-standards:

Accumulation tanks are covered by EU Directive 97/23/ EC. The equipments are designed and manufactured in accordance with the sound engineering practice of a member state in order to ensure safe use.

Mindreks Metall OÜ confirms, that accumulation tanks are produced according to standards and regulations of EU Directive. Mindreks Metall OÜ is following the required quality control measures.

Representative of the Issuer: Margus Mutso

CEO of the company Mindreks Metall OÜ

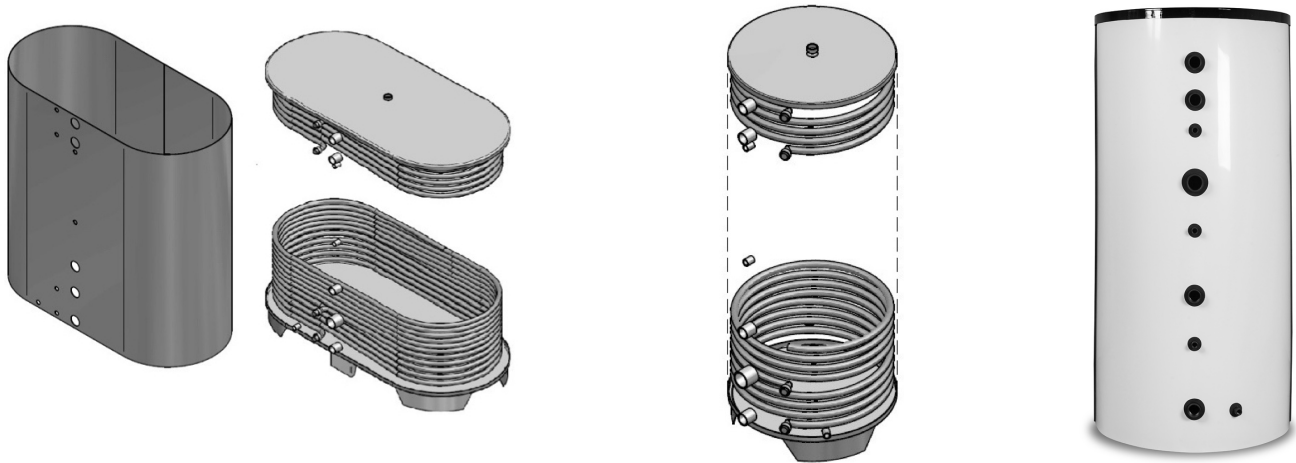
Date of Issue 01.05.2014

Signature:

A handwritten signature in blue ink, appearing to read 'Mutso', is written over the signature line.

MI-AccutanK-WATER/SOLAR

Storage tank with upper ribbed stainless steel spiral for heat hot water, and lower ribbed stainless steel spiral for connection solar heating.



Ribbed stainless steel spiral for domestic hot water is surface 1,34m² up to 9,3 m² .

Ribbed stainless steel spiral for solar heating is standard surface 2,7m².

Insulation thickness is 100-400 litres 50mm and 500-3000 litres 100mm. Coated 1mm plastic .